



96607B-96617B LED Door/ Movement Control Sensor Switch

Type: _____
Project: _____
Catalog#: _____

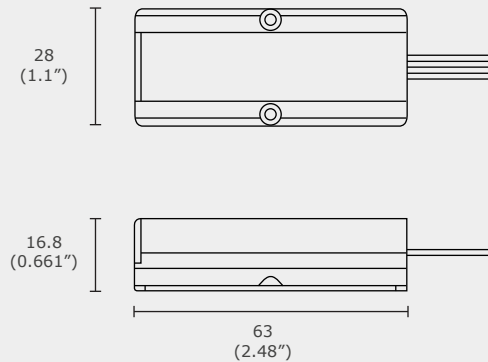


Main Features

- When the target object is in the detecting range, the lamp switches off, when there is no object in the detecting range, the lamp switches on.
- Quick connectors available.

Technical Information

96607B-96617B



*All units in mm

Specification Features

Model	96607B (Door Control Sensor)	96617B (Movement Control Sensor)
Input Voltage	DC 12V/ 24V	DC 12V/ 24V
Output Voltage	DC 12V/ 24V	DC 12V/ 24V
Loading Power	24W/ 48W	24W/ 48W
Detection Range	Max 10 cm	Max 10 cm
Finish	Silvery Grey	Silvery Grey
Material	Pc	Pc

Order form

Model		Input Voltage	Wattage		Finish	
96607B	96607B	A DC 12V/24V	24	24 W	SG	Silver Grey
96617B	96617B		48	48 W		