



GG-12IGRD LED Inground Light

Type: _____
 Project: _____
 Catalog#: _____

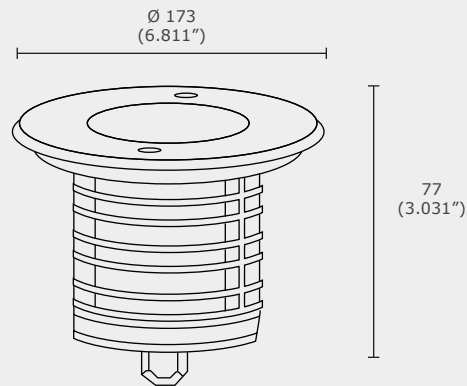


Main Features

- Die-cast grey powder coated aluminum
- Over 50,000 hours of life
- Step tempered clear glass
- Loading capacity of 2274 kg

Technical Information

GG-12IGRD



*All units in mm

Specification Features

Model	GG-12IGRD
Lumen Output	950 lm
Power Consumption (W)	12 W
Input Voltage	24V DC, 120/240V AC
Colour Temperature	3000K, 4000K, Red, Green, Blue
Dimensions	Ø 173 x 77 mm
IP Rating	67
Weight	5 kg
CRI	80
PFC	0.95
Beam Angle	50°, 35°
Certification	cETLus, CE, RoHS
Warranty	5 Years

Order form

Series		Model		Wattage		Voltage		Beam Angle		Colour Temperature				Housing	
GG	GG	12IGRD	12IGRD	12	12 W	A	24V DC	50	Asymmetrical (50°)	30	3000K	RGB	RGB	A	Aluminum
						B	120V AC	35	Symmetrical (35°)	40	4000K				