



GI-HBU17 LED Highbay Light

Type: _____
 Project: _____
 Catalog#: _____

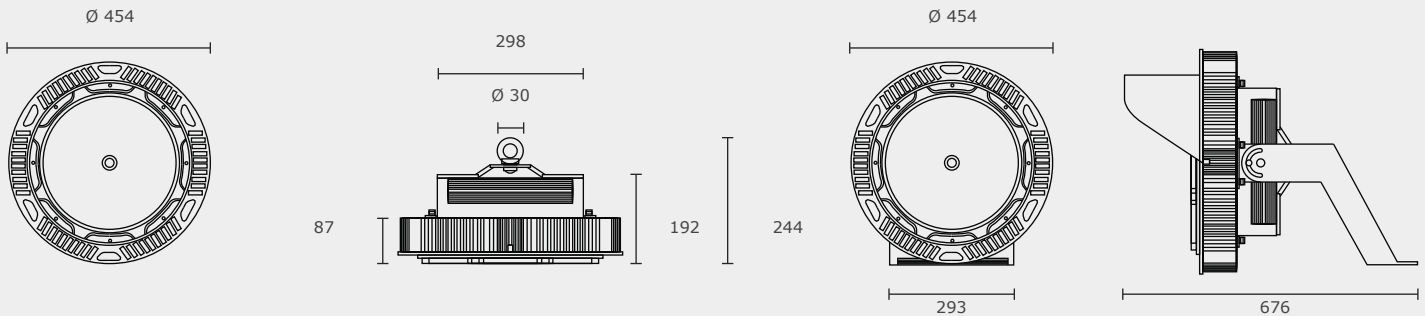


Main Features

- Perfect T5 high bay replacement
- Quality lighting and excellent energy savings
- Alloy + tempered glass
- High luminous efficacy

Technical Information

GI-HBU17



*All units in mm

Specification Features

Model	GI-HBU17-450	GI-HBU17-600
Lumen Output	72000 lm	96000 lm
Power Consumption (W)	450 W	600 W
Efficacy	160 lm/W	160 lm/W
Input Voltage	100-277V AC	100-277V AC
Colour Temperature (CCT)	3000K, 4000K, 5000K	3000K, 4000K, 5000K
Dimensions	Ø 454 x 245 mm	Ø 454 x 245 mm
IP Rating	65	65
Beam Angle	15°, 30°, 60°, 90°, 120°	15°, 30°, 60°, 90°, 120°
Certification	CE, RoHS, cETLus, DLC Premium	CE, RoHS, cETLus, DLC Premium
Warranty	5 Years	5 Years

Order form

Series	Model	Wattage	Colour Temperature	Beam Angle	Mounting	Accessories	
GI	GI HBU17 HBU17	450 450 W 600 600 W	30 3000K 40 4000K	50 5000K	15 15° 30 30° 60 60° 90 90° 120 120°	LH Loop Hanging BM M Bracket Mounting	V Visor PC PC Lens
Dimming Options							
NN	None	MS	Motion Sensor	DS	Daylight Sensor		
DL	DALI Control	ZC	Zigbee Control	PIR	PIR Sensor		