



GIT-P3-1806 Wall Profile

Type: _____
 Project: _____
 Catalog#: _____

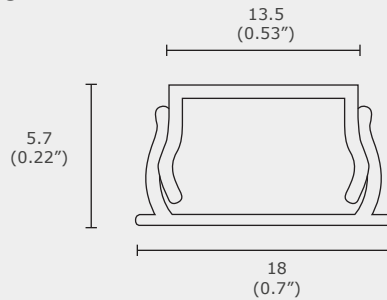


Main Features

- Comes with end caps which will attach onto the ends of the profile
- Optional recessed, suspension, track & magnet mount available
- Available in anodized or painted finish
- Recommended use with GS-50WFX1

Technical Information

GIT-P3-1806



End Cap



Mounting Clip



Connector Options

*All units in mm

Specification Features

Model **GIT-P3-1806**

Length	2500 mm
Dimensions (mm)	18 x 5.7 mm
Material	Aluminum
Max LED Strip	13.5 mm
Colour	Silver, Black or White
Finish Options	Anodized or Painted
Cover Options	Clear, Milky or Frosted

Order form

Series		Model		Colour Options			Finish Options		Mounting			Connector Options			Cover Options						
P3	P3	1806	1806	S	Silver	B	Black	A	Anodized	R	Recessed	T	Track	S	Standard	T	T-Shape	C	Clear	FR	Frosted
				W	White			P	Painted	S	Suspension	M	Magnet	M	Mini	90	90°	M	Milky		