



GIT-P3-1812 Waterproof Profile

Type: _____
 Project: _____
 Catalog#: _____

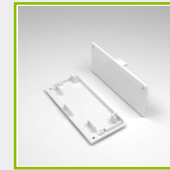
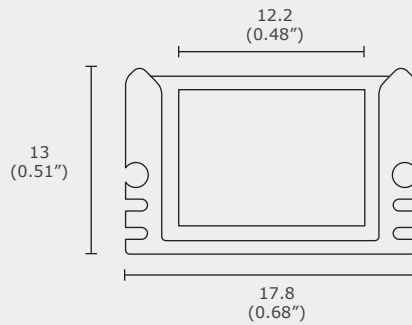
Main Features

- Efficient at dispersing heat
- Comes with end caps which will attach onto the ends of the profile
- Efficient at dispersing heat
- Available in anodized or painted finish



Technical Information

GIT-P3-1812



End Cap



Mounting Clip



Connector Options

*All units in mm

Specification Features

Model	GIT-P3-1812
Length	2500 mm
Dimensions (mm)	17.8 x 13 mm
Material	Aluminum
Max LED Strip	12.2 mm
Colour	Silver, Black or White
Finish Options	Anodized or Painted
Cover Options	Clear, Milky or Frosted

Order form

Series		Model		Colour Options			Finish Options		Cover Options		Options				
P3	P3	1812	1812	S	Silver	B	Black	A	Anodized	C	Clear	FR	Frosted	MC	Mounting Clip
				W	White			P	Painted	M	Milky				