



## GN-SMC Instruction

Read and understand these instructions before installing luminaire.

This luminaire is intended for installation in accordance with the National Electrical Code and local regulations.

To assure full compliance with local codes and regulations, check with your local electrical inspector before installation. To prevent electrical shock, turn off electricity at fuse box before proceeding.

Retain these instructions for maintenance reference.

Note: This instruction sheet covers several luminaire types and styles. Although the illustration may not depict the product exactly, the installation remains the same.

### FOR USE WITH GN-SMC OR GN-SMS J-BOX MOUNTING:

1. Loosen MOUNTING SCREWS from 4" OCTAGONAL J-BOX. Fully remove MOUNTING SCREWS from 4" ROUND J-BOX (FIG. 1)
2. Align and secure J-BOX MOUNTING PLATE to J-BOX using MOUNTING SCREWS. NOTE: J-BOX MOUNTING GROUND WIRE must face roomside. Make sure J-BOX MOUNTING PLATE is firmly against the ceiling. Do not overtighten MOUNTING SCREWS, this could distort the J-BOX MOUNTING PLATE. (FIG. 1)
3. Pull supply wires from J-BOX through hole in J-BOX MOUNTING PLATE. (FIG. 2)
4. For wet location, see FIG. 4
5. While supporting LUMINAIRE BODY, Make electrical connections: black lead to hot (Black) supply lead; white lead to neutral (White) supply lead. Un-insulated wires are ground wires (ground J-box mounting lead and ground luminaire lead) and must be connected to grounding terminal or ground (Green) supply lead inside J-BOX. Use WIRE NUTS to make connections (FIG. 2)
6. Carefully push connections back into J-BOX.
7. Align 2 SPRINGS and DRIVER on the LUMINAIRE BODY to the opening in the J-BOX MOUNTING PLATE. Snap LUMINAIRE BODY into plate.

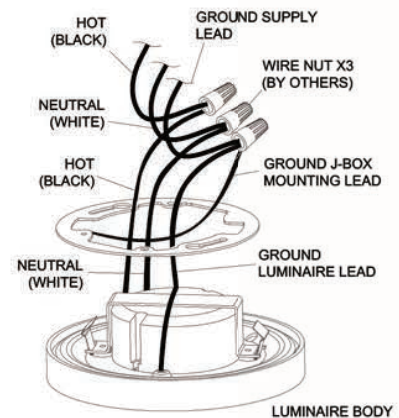
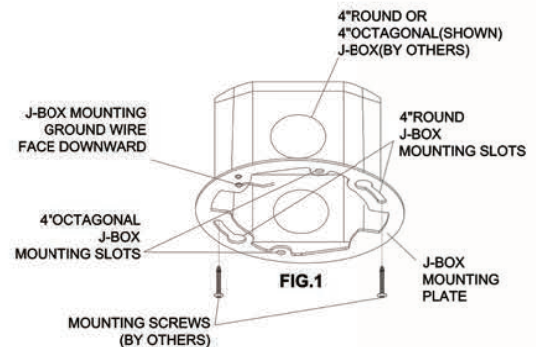


FIG. 2  
J-BOX REMOVED FOR CLARITY

**CAUTION: MAKE CERTAIN THAT NO WIRES ARE PINCHED BETWEEN J-BOX MOUNTING PLATE AND LUMINAIRE BODY**

To remove luminaire body from ceiling pull straight down.  
To remove luminaire body from wall pull away from surface.

Driver replacement: Inseparable luminaire. Do not attempt to service. Replace entire fixture.

**CAUTION:** For wet locations, In accordance with Underwriters Laboratories requirements, a line of caulking compound such as acrylic latex or silicone must be placed around the perimeter of backplate also contacting the flange (as shown) to seal against mounting surface keeping water away from the outlet box and back openings. (FIG. 4)



FIG. 4

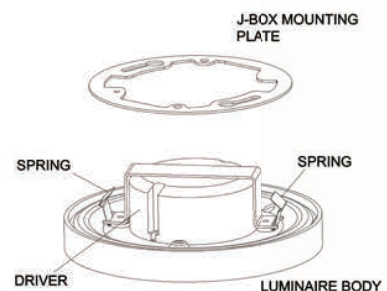


FIG. 3  
J-BOX & WIRES REMOVED FOR CLARITY