



GP-C10D 10" Commercial Down Light

Type: _____
 Project: _____
 Catalog#: _____



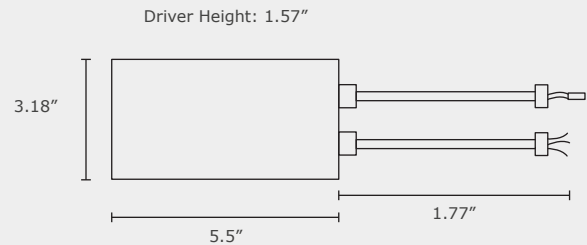
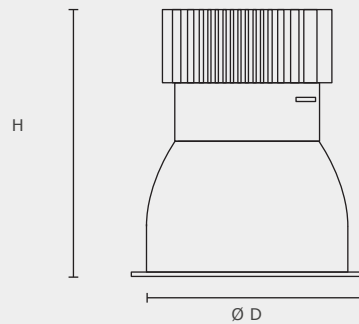
Main Features

- Perfect to retrofit existing halogen, CFL and incandescent fixtures
- Easy conversion and installation
- Available in 48W and 54W with dimming
- No mercury, phosphorus or toxic substances

Technical Information

GP-C10D

	A	B
C10D-40	8.46"	Ø 10.98"
C10D-54	9.22"	Ø 10.98"



*All units in inch

Specification Features

Model	GP-C10D-40	GP-C10D-54
Lumen Output	2800/ 3000 lm	3780/ 4200 lm
Power Consumption (W)	40 W	54 W
Input Voltage	120-277V AC, 347V AC	120-277V AC, 347V AC
Colour Temperature (CCT)	3000K, 3500k, 4000k	3000K, 3500k, 4000k
CRI	Ra 80	Ra 80
Dimensions	Ø 10.98" x 8.46"	Ø 10.98" x 9.22"
PFC	0.90	0.90
IP Rating	42 (Damp Rated)	42 (Damp Rated)
Certification	cULus, RoHS, CE	cULus, RoHS, CE
Warranty	5 Years	5 Years

Order form

Series		Model		Wattage		Voltage		Colour Temperature				Option	
GP	GP	C10D	C10D	40	40 W	A	120-277V AC	30	3000K	40	4000K	DM	0-10V Dimming
				54	54 W	B	347V AC	35	3500K				