



## GP-C6D 6" Commercial Down Light

Type: \_\_\_\_\_  
 Project: \_\_\_\_\_  
 Catalog#: \_\_\_\_\_

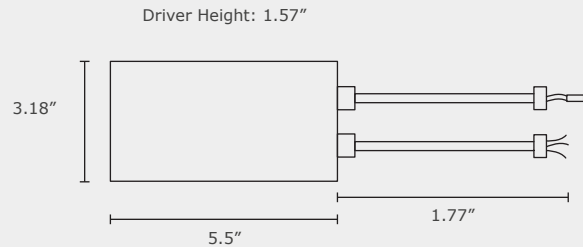
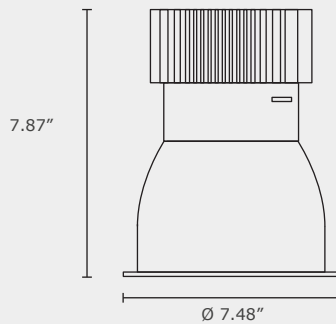


### Main Features

- Perfect to retrofit existing halogen, CFL and incandescent fixtures
- Easy conversion and installation
- Available in 18W, 23W and 27W with dimming
- No mercury, phosphorus or toxic substances

### Technical Information

#### GP-C6D



\*All units in inch

### Specification Features

Model	GP-C6D-18	GP-C6D-23	GP-C6D-27
Lumen Output	1450 lm	2068 lm	2387 lm
Power Consumption (W)	18 W	23 W	27 W
Input Voltage	120-277V AC, 347V AC	120-277V AC, 347V AC	120-277V AC, 347V AC
Colour Temperature (CCT)	3000K, 3500K, 4000K	3000K, 3500K, 4000K	3000K, 3500K, 4000K
CRI	80	80	80
Dimensions	Ø 7.48" x 7.87"	Ø 7.48" x 7.87"	Ø 7.48" x 7.87"
PFC	0.90	0.90	0.90
Beam Angle	42°	42°	42°
IP Rating	42 (Damp Rated)	42 (Damp Rated)	42 (Damp Rated)
Certification	cULus, RoHS, CE	cULus, RoHS, CE	cULus, RoHS, CE
Warranty	5 Years	5 Years	5 Years

### Order form

Series		Model		Wattage				Voltage		Colour Temperature				Housing Options		Option	
GP	GP	C6D	C6D	18	18 W	27	27 W	A	120-277V AC	30	3000K	40	4000K	NN	New Non-IC	DM	0-10V Dimming
				23	23 W			B	347V AC	35	3500K			NC	New Construction Housing		