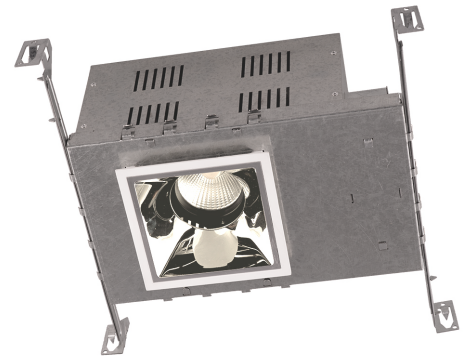




GP-HST5S LED Down Light

Type: _____
 Project: _____
 Catalog#: _____




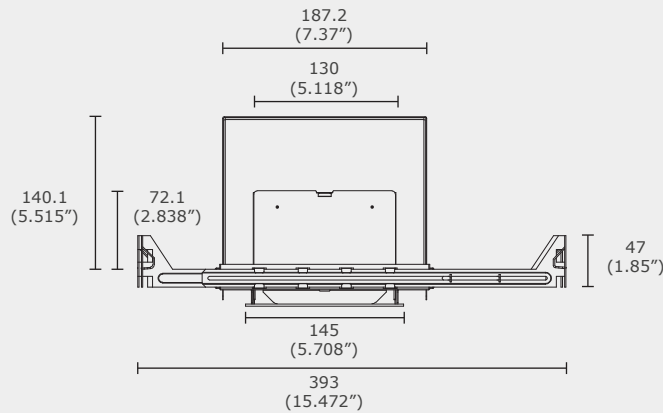
Main Features

- Pure aluminum anodized reflector
- Two luminous efficiency, wall wash and vertical
- High quality aluminum die-casting material body and surface frame

Technical Information

GP-HST5S

 135 x 135 (5.314" x 5.314")



*All units in mm

Specification Features

Model	GP-HST5S
Lumen Output	3000 lm
Power Consumption	30 W
(W)Input Voltage	120-277V AC
Colour Temperature (CCT)	2700K, 3000K, 3500K, 4000K
CRI	Ra 90
Dimensions	393 x 140.1 mm
Beam Angle	15°, 24°, 36°
IP Rating	20
Certification	CE, RoHS, cETLus
Warranty	5 Years

Order form

Series		Model		Colour Temperature				Beam Angle				Optional Colours				Lens Colours				Lens Accessories			
GP	GP	HST5S	HST5S	27	2700K	35	3500K	15	15°	36	36°	BL	Black	GR	Grey	WH	White	BL	Black	GL	Glass	SF	Smooth Filter
				30	3000K	40	4000K	24	24°			WH	White			SC	Scrub	GR	Grey	DF	Diffusing Filter	HC	Honey Comb