



GS-LED STRIP LIGHTS Assembly Instructions

Before you begin

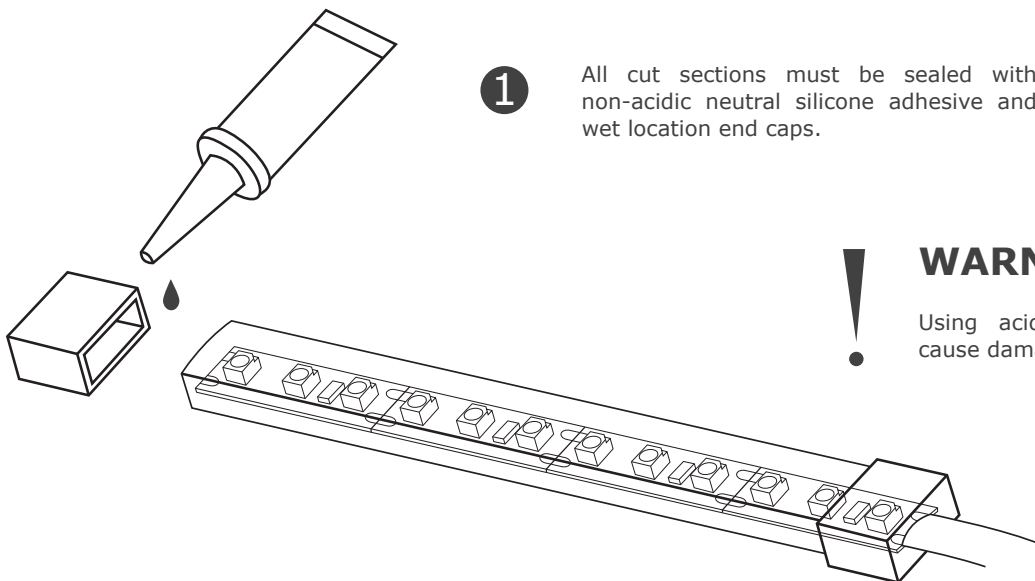
- Clean the surface where you plan to attach the LED strip light.
- The smallest unit that can be cut is 100mm - (3 LEDs).
- The LED strip is mounted using double-sided adhesive on the back-surface of the strip.



Safety Information

- Careful not to damage or destroy conducting paths on the circuit board.
- Only authorized personnel should perform installation.
- Ensure correct electrical polarity.
- Serial connection is for a max of 10m or 32'. Longer connections can cause unbalanced voltage drops, and cause hazardous overlord that will damage the strip.
- Parallel connection is recommended for lengths longer than 10m.
- Ensure the power supply has power to operate the total load.
- Pay attention to standard ESD precautions when installing the LED strip.
- Careful not to mechanically stress the LED strips' components.

WET LOCATION TAPE LIGHT



1

All cut sections must be sealed with non-acidic neutral silicone adhesive and wet location end caps.



WARNING

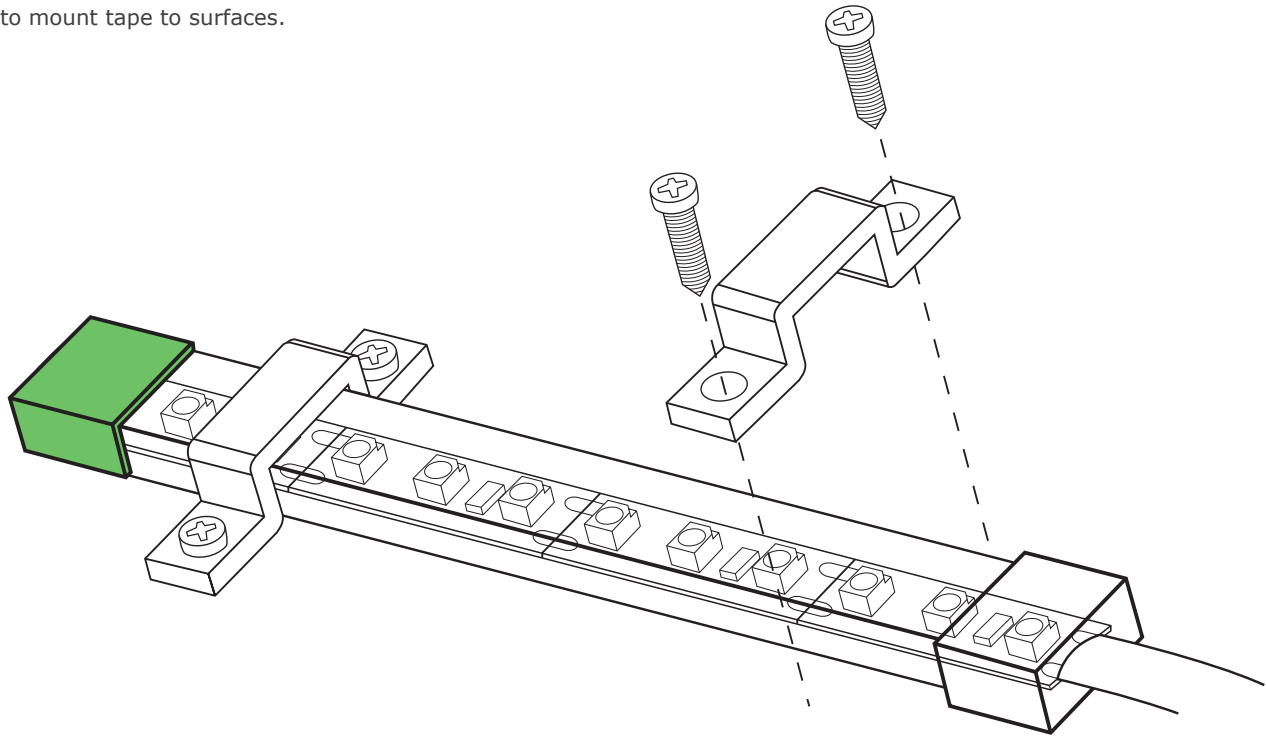
Using acidic-based adhesives may cause damage of LED Strip Light.



WET LOCATION MOUNT TAPE LIGHT

GS-LED STRIP LIGHTS Assembly Instructions

- 2 Silicone adhesive can also be utilized to mount tape to surfaces.



! WARNING

When joining multiple Strip Lights together make sure wet location connectors are used to connect leads.