



# GN-PE1200 Thinnest Light Panel

Type: \_\_\_\_\_  
 Project: \_\_\_\_\_  
 Catalog#: \_\_\_\_\_

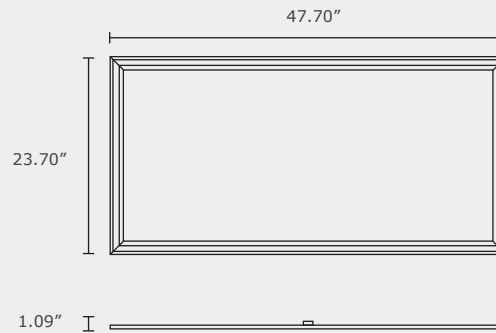
## Main Features

- 1.09" thickness
- Damp location and IC rated
- Modern alternative to fluorescent troffer
- Available for 0-10V dimming, step dimming
- Recessed, suspended or surface mount
- Over 50,000 hours of life
- Perfect for small and confined space
- Mounts flush with the wall



## Technical Information

### GN-PE1200



\*All units in inch

## Specification Features

Model	GN-40PE1200	GN-50PE1200
Lumen Output	4084 lm	5227 lm
Power Consumption (W)	40 W	50 W
Efficacy	101 lm/W	104 lm/W
Input Voltage	100-277V AC	100-277V AC
Colour Temperature (CCT)	3000K, 3500K, 4000K, 5000K	3000K, 3500K, 4000K, 5000K
CRI	80	80
IP Rating	42	42
Dimensions	47.7 x 23.7 x 1.09 inches	47.7 x 23.7 x 1.09 inches
Certification	cETLus, DLC	cETLus, DLC
Warranty	5 Years	5 Years

## Order form

Series		Model		Wattage		Size		Colour Temperature				Options				Mounting			
GN	GN	PE1200	PE1200	40	40 W	1200	1200	30	3000K	40	4000K	DM	0-10V Dimming	GF	Graphic Film	S	Surface	SP	Suspended
				50	50 W		(2' x 4')	35	4000K	50	5000K	SD	Step Dimming	ED	External Driver	R	Recessed		