



## GC-2830BRGBDMX-US Wall Mounted DMX512 Master

Type: \_\_\_\_\_  
 Project: \_\_\_\_\_  
 Catalog#: \_\_\_\_\_

### Main Features

- DMX512 (2008) Protocol
- High sensitivity - precise control
- Controls 4 zones
- Set 3 scenes in each zone
- Memory Function



### Safety & Warnings

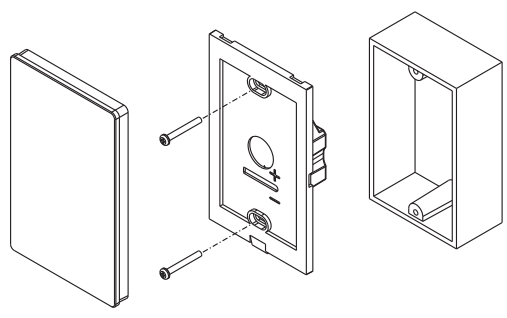
- 1 The product must be installed and serviced by qualified personnel.
- 2 IP20. Avoid direct sunlight and rain. When installed outdoors, please ensure it is mounted in a waterproof enclosure.
- 3 Always be sure to mount this unit in an area with proper ventilation to avoid overheating.
- 4 Please check that output voltage(s) of any LED power supplies used complies with the working voltage of the product.
- 5 Never connect any cables while power is on and always ensure correct connections to avoid short circuits before turning on.
- 6 Please ensure that the cable is secured tightly in the connector.
- 7 For update information please consult your supplier.

### Specification Features

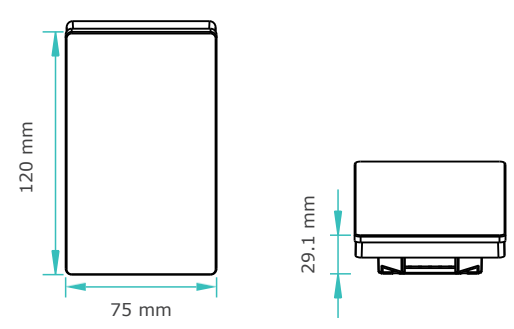
**Model** *GC-2830BRGBDMX-US*

Input Voltage	12-24V DC
Output	DMX512 Signal
Size	120 x 75 x 29.1 mm
Remarks	Touch Sensor

### Installation



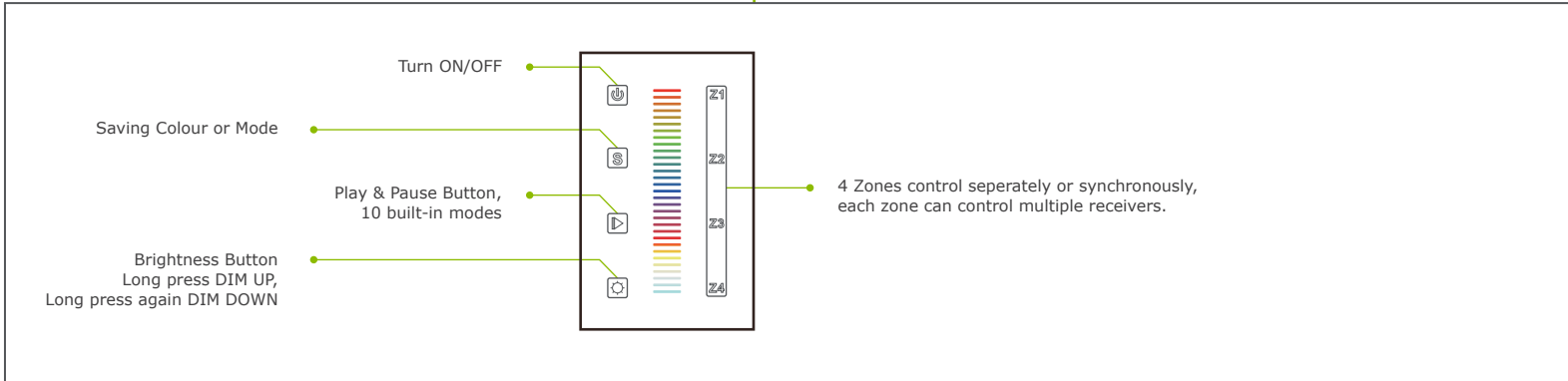
### Product Size



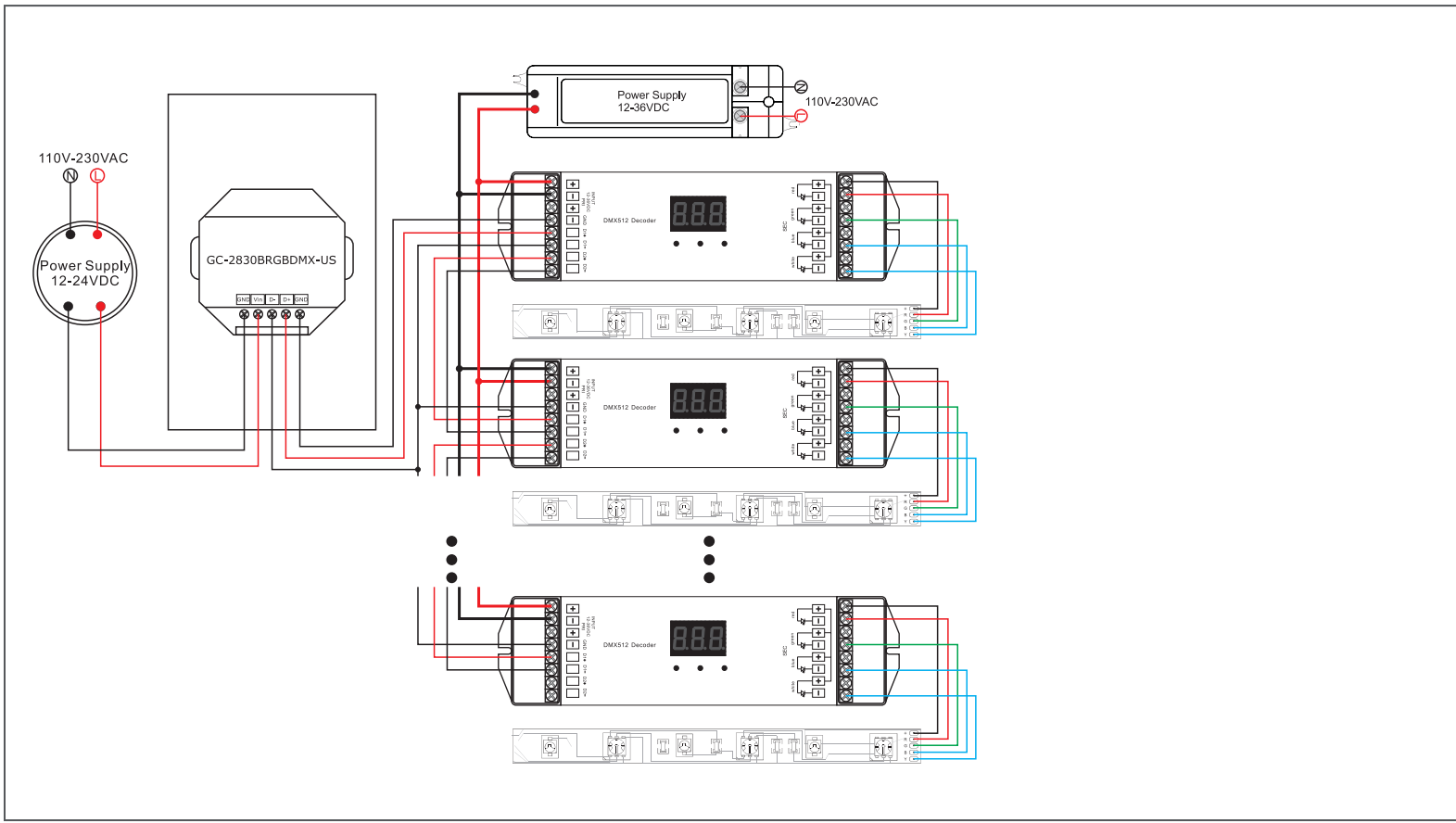


# GC-2830BRGBDMX-US Wall Mounted DMX512 Master

## Description of Buttons



## Wiring Diagram





## Operation

### Learning ID

- 1 Click learning button on RF receiver (SR-1009XX) → Short touch any zone button Z1, Z2, Z3 or Z4 (sender 2830RGB) → Touch dimming slider. A light flickering means ID saved successfully. Touch zone button Z1/Z2/Z3/Z4 separately over 2 seconds, which will turn ON/OFF separately. The backlight blue is ON for the zone, yellow is OFF for the zone.

**Notice:** Each sender can control 4 different zones separately, each zone can save endless receivers, so one sender can control as many receivers as desired.

Z1 Z2 Z3 Z4 Short press to choose the zone / Long press to turn OFF/ON each zone.

- § **a) Save Colour:** Choose a zone or multiple zones from (Z1,Z2,Z3,Z4) → Touch dimming slider for desired colour → Hold § button over 2 seconds → Flickering light means saved successfully.
- b) Save Mode:** Choose a zone or multiple zones from (Z1,Z2,Z3,Z4) → Press ▶ button to play default modes, choose desired mode → Hold § button over 2 seconds → Flickering light means saved successfully.
- c) Reply:** Short touch button § to replay the colour or mode just saved.
- ▶ Press ▶ Button, modes will run. Press it once to run first mode. Press again to stop. Press one more time to enter next mode. There are a total of 10 built-in modes.
- ⚙ Long press DIM UP, Long press again, DIM DOWN.

## Warranty Agreement

### 1 We provide lifelong technical assistance with this product:

- 5-year warranty. Every product has a date printed for warranty expiration (ie. 1125 means year 2011, week 25). The warranty is for free repair or replacement and covers manufacturing faults only.
- For faults beyond the 5-year warranty, we reserve the right to charge for labour and parts.

### 2 Limited Warranty

- Any defects caused by incorrect or inappropriate operation.
- Any damages caused by unauthorized removal, maintenance, modifying, incorrect connection and replacement of chips.
- Any damages due to transportation, vibration etc. after purchase.
- Any damages caused by earthquake, fire, lightning, pollution and abnormal voltage.
- Any damages caused by negligence, including storing in high temperatures, humidity or proximity to harmful chemicals.
- Product has been updated.

### 3 Repair or replacement as provided under this warranty is the exclusive remedy to the customer.