



**GC-2830BDMX-US**  
**DMX512 CCT Dimmer Master**

Type: \_\_\_\_\_  
 Project: \_\_\_\_\_  
 Catalog#: \_\_\_\_\_



**Main Features**

- Backlight
- Glass interface (White / Black)
- Touch sensitive
- Adjust brightness & colour temperature



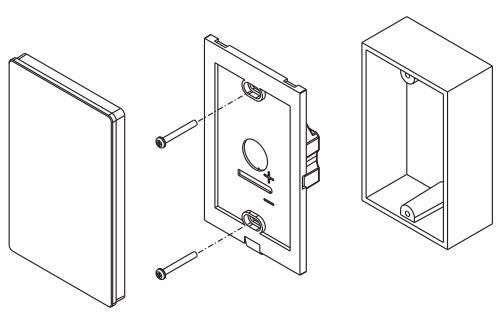
**Safety & Warnings**

- 1 The product must be installed and serviced by qualified personnel.
- 2 IP20. Avoid direct sunlight and rain. When installed outdoors, please ensure it is mounted in a waterproof enclosure.
- 3 Always be sure to mount this unit in an area with proper ventilation to avoid overheating.
- 4 Please check that output voltage(s) of any LED power supplies used complies with the working voltage of the product.
- 5 Never connect any cables while power is on and always ensure correct connections to avoid short circuits before turning on.
- 6 Please ensure that the cable is secured tightly in the connector.
- 7 For update information please consult your supplier.

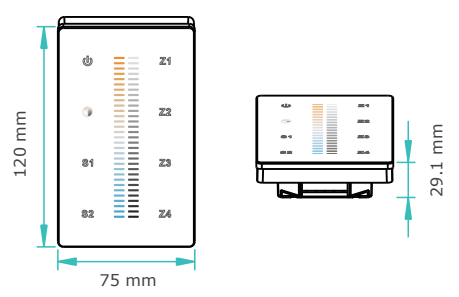
**Specification Features**

<b>Model</b>	<b>GC-2830BDMX-US</b>
Input Voltage	12-24V DC
Output	DMX512 Signal
Size	120 x 75 x 29.1 mm

**Installation**

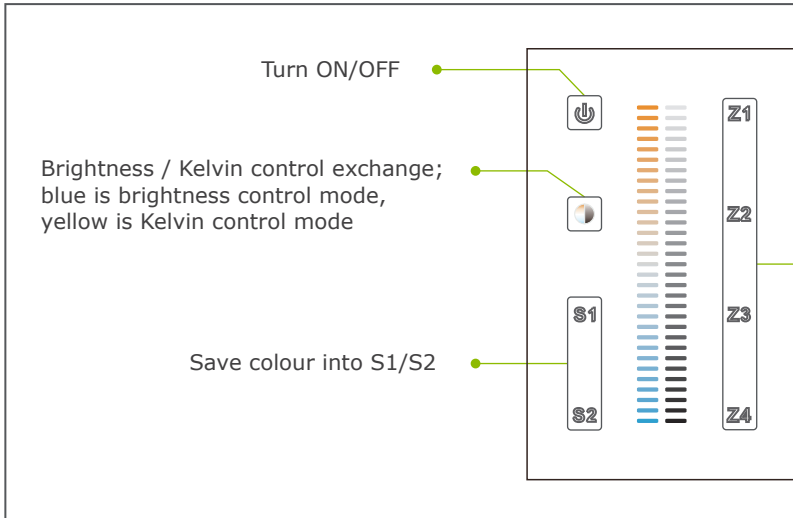


**Product Size**



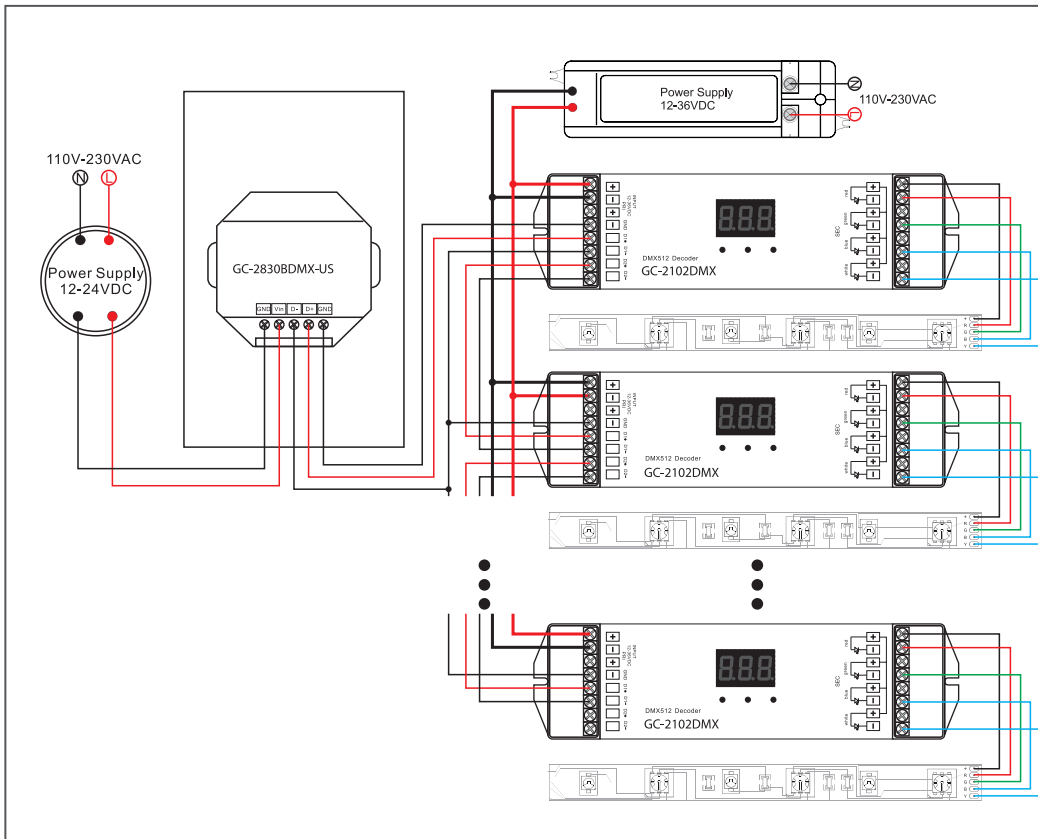


## Description of Buttons



4 zones, control separately or synchronous, each zone can control multiple receivers

## Wiring Diagram





## Operation

### ① Switch

- Touch on/off button, all zones on/off. Blue indicator when active, yellow indicator when inactive.
- Once turned on, the default setting will be in brightness control mode.
- Touch zone buttons Z1/Z2/Z3/Z4 separately over 2 seconds to turn ON/OFF separately.
- If backlight is blue, zone is ON, if backlight is yellow, the zone is OFF.

### ② Save and Recall

- *Save:* Touch colour slider to get a colour → Hold either S1 or S2 button for over 2 seconds. All zones will sync and save. Flickering light means it has been saved successfully.
- *Recall:* Short touch button S1 or S2 Recall the colour saved.

## Warranty Agreement

### ① We provide lifelong technical assistance with this product:

- 5-year warranty. Every product has a date printed for warranty expiration (ie. 1125 means year 2011, week 25). The warranty is for free repair or replacement and covers manufacturing faults only.
- For faults beyond the 5-year warranty, we reserve the right to charge for labour and parts.

### ② Limited Warranty

- Any defects caused by incorrect or inappropriate operation.
- Any damages caused by unauthorized removal, maintenance, modifying, incorrect connection and replacement of chips.
- Any damages due to transportation, vibration etc. after purchase.
- Any damages caused by earthquake, fire, lightning, pollution and abnormal voltage.
- Any damages caused by negligence, including storing in high temperatures, humidity or proximity to harmful chemicals.
- Product has been updated.

### ③ Repair or replacement as provided under this warranty is the exclusive remedy to the customer.