



## GD-UTS Surface Mount Fixture

Type: \_\_\_\_\_  
 Project: \_\_\_\_\_  
 Catalog#: \_\_\_\_\_

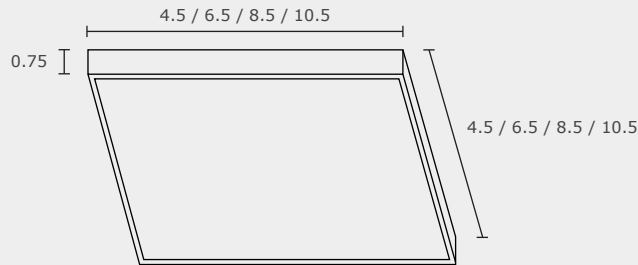


### Main Features

- Die-cast aluminum housings are available in variety
- High efficiency and quality colour rendering
- Optional pendant adapter to convert to a hanging fixture

### Technical Information

#### GD-UTS



\*All units in inch

### Specification Features

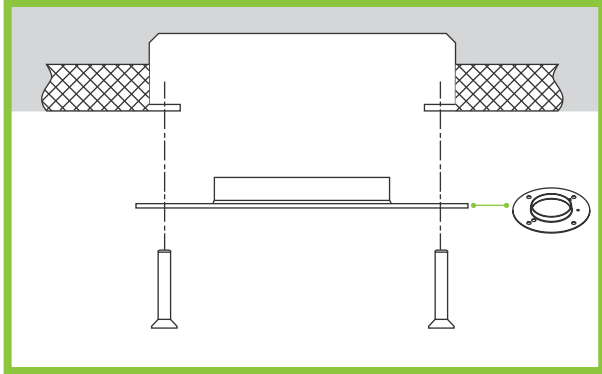
Model	GD-UTS-5	GD-UTS-7	GD-UTS-9	GD-UTS-11
Lumen Output	1125 lm	1350 lm	1620 lm	1800 lm
Power Consumption (W)	14 W	15 W	18 W	20 W
Input Voltage	120V AC	120V AC	120V AC	120V AC
Colour Temperature (CCT)	3000K	3000K	3000K	3000K
CRI	Ra 90	Ra 90	Ra 90	Ra 90
Dimensions	4.5" x 4.5" x 0.75"	6.5" x 6.5" x 0.75"	8.5" x 8.5" x 0.75"	10.5" x 10.5" x 0.75"
Certification	CE, cETLus	CE, cETLus	CE, cETLus	CE, cETLus
Warranty	5 Years	5 Years	5 Years	5 Years

### Order form

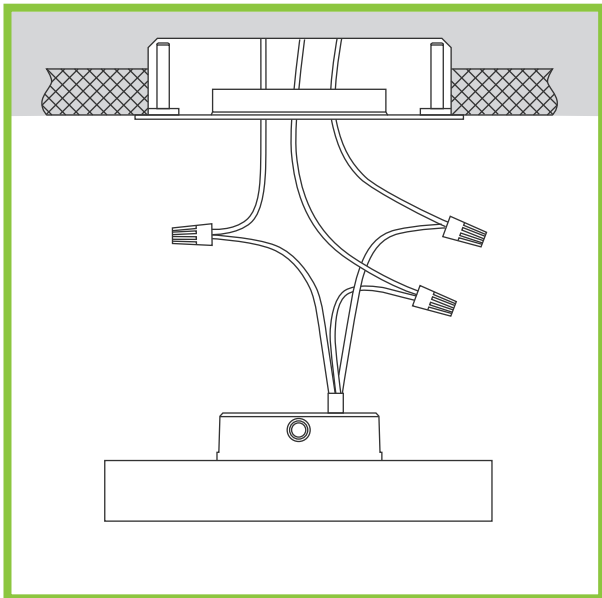
Series		Model		Size				Colour Temperature		Trim				Dimming	
GD	GD	UTS	UTS	5	5	9	9	30	3000K	BL	Black	PC	Polished Chrome	TR	TRIAC
				7	7	11	11			WH	White	SN	Stain Nickel		

## Installation Instruction

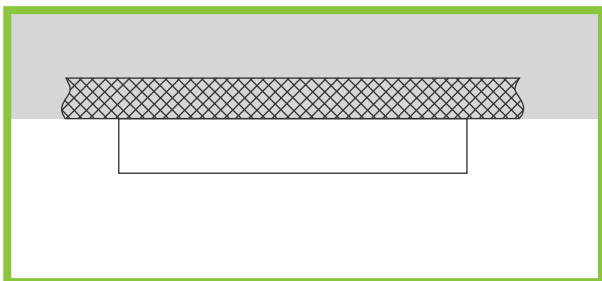
---



- 1.** Install supplied mounting bracket on the ceiling with 1" screws



- 2.** Connect a fixture leads to the bracket, and connect same colour wires using supplied wire nuts.



- 3.** Install a fixture into the mounting bracket.