



Type: \_\_\_\_\_  
 Project: \_\_\_\_\_  
 Catalog#: \_\_\_\_\_

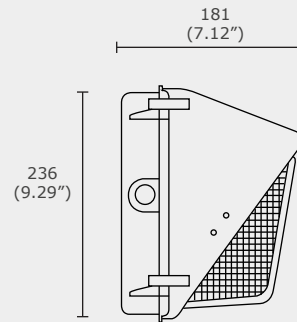
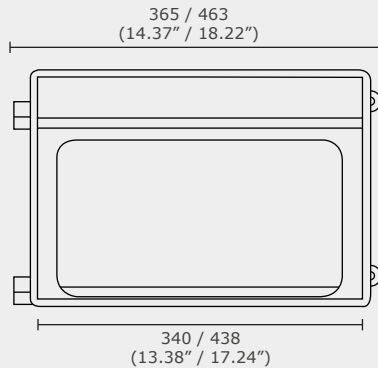


## Main Features

- Rugged die cast aluminum housing
- Bronze powder coat finish
- Provides similar light output to a 150W metal halide for less than 1/3 of the energy
- Easily installs to junction boxes
- Directly mounts to the wall
- Over 50,000 hours of life
- IC current controlled LED circuits

## Technical Information

### GWP-SQL306



\*All units in mm

## Specification Features

Model	GWP-SQL306
Lumen Output	4950, 7700, 9900, 12100 lm
Power Consumption (W)	45W, 70W, 90W, 110W
Efficacy	110
Colour Temperature	3000K, 4000K, 5000K, 6000K
CRI	80
Input Voltage	100~277V AC, 347V AC
PFC	0.95
Beam Angle	4 kg
Dimensions	365 x 236 x 181 mm (48 W & 68 W), 463 x 236 x 181 mm (90 W & 110 W)
Light Distribution	Type 2
IP Rating	65
Certification	cULus, RoHS, CE
Warranty	5 Years

## Order form

Series		Model		Wattage				Voltage		Colour Temperature			
GWP	GWP	SQL306	SQL306	45	45 W	90	90 W	A	100-277V AC	30	3000K	50	5000K
				70	70 W	110	110 W	B	347V AC	40	4000K	60	6000K