



Type: \_\_\_\_\_  
Project: \_\_\_\_\_  
Catalog#: \_\_\_\_\_

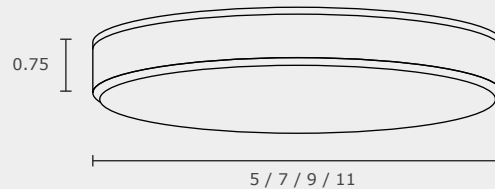
## Main Features

- Die-cast aluminum housings are available in variety
- High efficiency and quality colour rendering
- Optional pendant adapter to convert to a hanging fixture



## Technical Information

### GD-UTC



\*All units in inch

## Specification Features

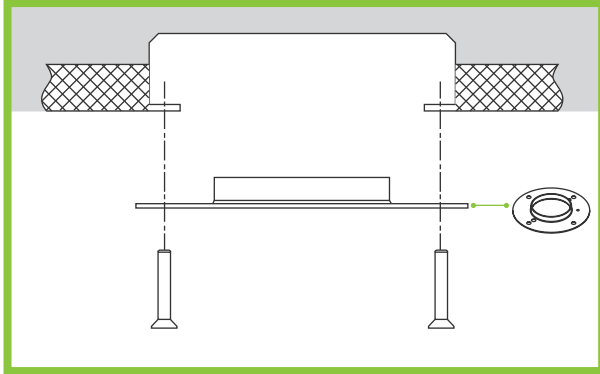
Model	GD-UTC-5	GD-UTC-7	GD-UTC-9	GD-UTC-11
Lumen Output	1125 lm	1350 lm	1620 lm	1800 lm
Power Consumption (W)	12.5 W	15 W	18 W	20 W
Input Voltage	120V AC	120V AC	120V AC	120V AC
Colour Temperature (CCT)	3000K, 3500K, 4000K	3000K, 3500K, 4000K	3000K, 3500K, 4000K	3000K, 3500K, 4000K
CRI	Ra 90	Ra 90	Ra 90	Ra 90
Dimensions	Ø 5" x 0.75"	Ø 7" x 0.75"	Ø 9" x 0.75"	Ø 11" x 0.75"
Certification	CE, cETLus	CE, cETLus	CE, cETLus	CE, cETLus
Warranty	5 Years	5 Years	5 Years	5 Years

## Order form

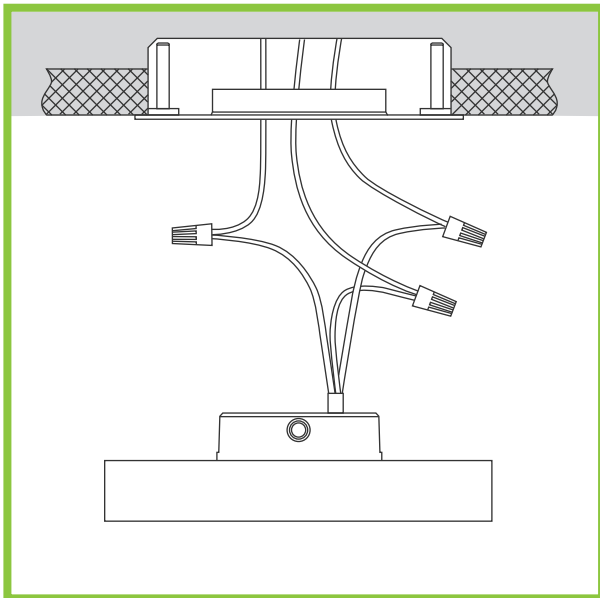
Series		Model		Size				Colour Temperature				Trim				Dimming	
GD	GD	UTC	UTC	5	5	9	9	30	3000K	40	4000K	BL	Black	PC	Polished Chrome	TR	TRIAC
				7	7	11	11	35	3500K			WH	White	SN	Stain Nickel		

## Installation Instruction

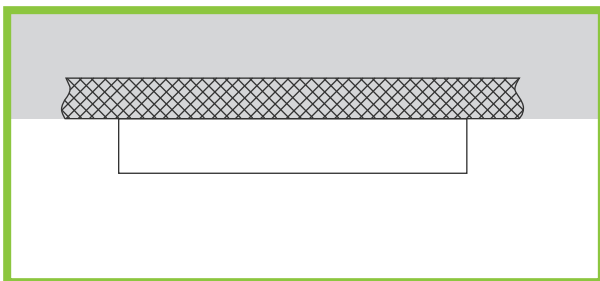
---



1. Install supplied mounting bracket on the ceiling with 1" screws



2. Connect a fixture leads to the bracket, and connect same colour wires using supplied wire nuts.



3. Install a fixture into the mounting bracket.