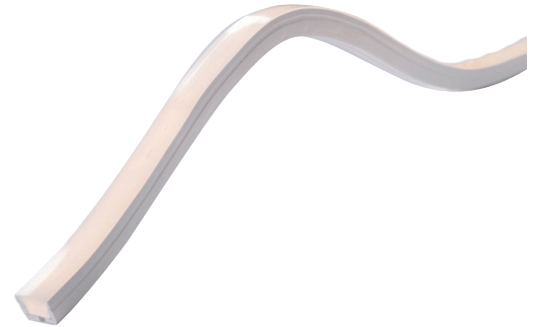




# GS-NeoT-1212 LED Neon Strip Light

Type: \_\_\_\_\_  
 Project: \_\_\_\_\_  
 Catalog#: \_\_\_\_\_

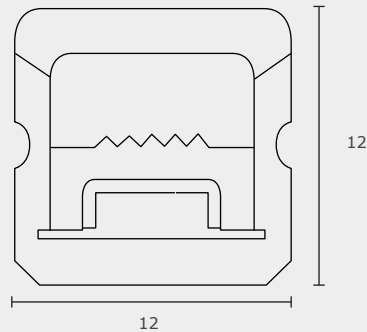


## Main Features

- Topview and plain shaped strip light.
- IP 67 rated for wet location
- Maximum 20 meters with one driver
- RGB feature requires RGB decoder and controller

## Technical Information

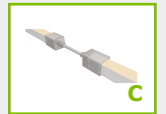
### GS-NeoT-1212



End Cap A



Installing Aluminum Profile



Middle usage non-soldering connector with power wire



End usage non-soldering connector without power wire



Head usage non-soldering connector with power wire at one side

\*All units in mm

## Specification Features

Model	GS-NeoT-1212-7	GS-NeoT-1212-9-RGB	GS-NeoT-1212-14
Lumen Output	30 lm/W	30 lm/W	30 lm/W
Power Consumption (W)	7.2 W	9.6 W	14.4 W
Colour Temperature	2700K,3000K,3500K, 4000K, 5000K	2700K,3000K,3500K, 4000K, 5000K, RGB	2700K,3000K,3500K, 4000K, 5000K
Input Voltage	24V DC	24V DC	24V DC
CRI	Ra 80	Ra 80	Ra 80
IP Rating	67	67	67
Minimum Cuttable	50 mm	50 mm	25, 50 mm
Max Run / One Driver	20 M	5 M	5 M
Dimensions	12 x 12 mm	12 x 12 mm	12 x 12 mm
Certification	cULus, RoHS, CE	cULus, RoHS, CE	cULus, RoHS, CE
Warranty	5 Years	5 Years	5 Years

## Order form

Series	Model	Wattage	Voltage	Colour Temperature	Length	Accessories
GS	GS NeoT-1212	7 9 14	24V DC	27 2700K 30 3000K 35 3500K	5M 5 Meters Custom	A End Cap B Profile C Connector C D Connector D E Connector E F

\*RGB only available on 9W