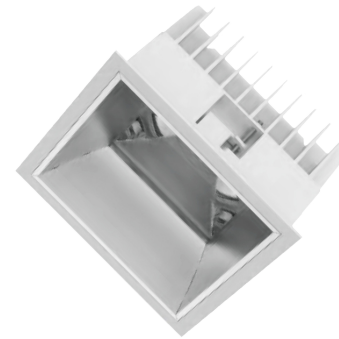




GP-HD150S LED Down Light

Type: _____
 Project: _____
 Catalog#: _____

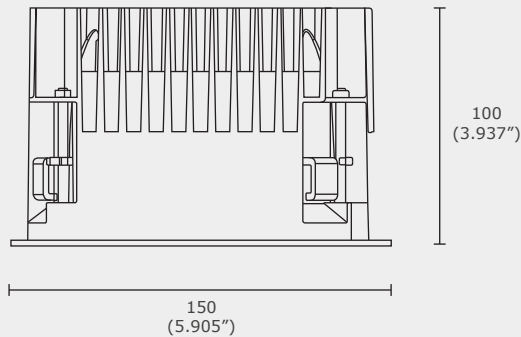


Main Features

- Durable design with high efficiency and functionality
- Narrow, medium and flood beam angles
- Reflectors of matt, white and black colours
- Applicable to all typical downlight contexts, IP Rated

Technical Information

GP-HD150S



*All units in mm

Specification Features

Model	GP-HD150S-21	GP-HD150S-28
Lumen Output	2000 - 2500 lm	2700 - 3300 lm
Power Consumption (W)	120-277V AC, 347V AC	120-277V AC, 347V AC
Input Voltage	21 W	28 W
LED Current	500 mA	700 mA
Colour Temperature (CCT)	Ra 80, Ra 90	Ra 80, Ra 90
CRI	2700K, 3000K, 3500K, 4000K	2700K, 3000K, 3500K, 4000K
Dimensions	30°, 60°	30°, 60°
Beam Angle	150 x 150 x 100 mm	150 x 150 x 100 mm
IP Rating	54	54
Certification	cETLus	cETLus
Warranty	5 Years	5 Years

Order form

Series		Model		Wattage		Beam Angle		Voltage		CCT		CRI		Dimming		Reflector	
GP-HD	GP-HD	150S	150S	21	21 W	30	30°	A	120-277V AC	27	2700K	80	80	DL	DALI	M	Matte
				28	28 W	60	60°	B	347V AC	30	3000K	90	90	DM	0-10V	W	White
										35	3500K			TR	TRIAC	B	Black
										40	4000K						