

TYPE: PROJECT: CATALOG#: **4BAY-UV STERILIZER**

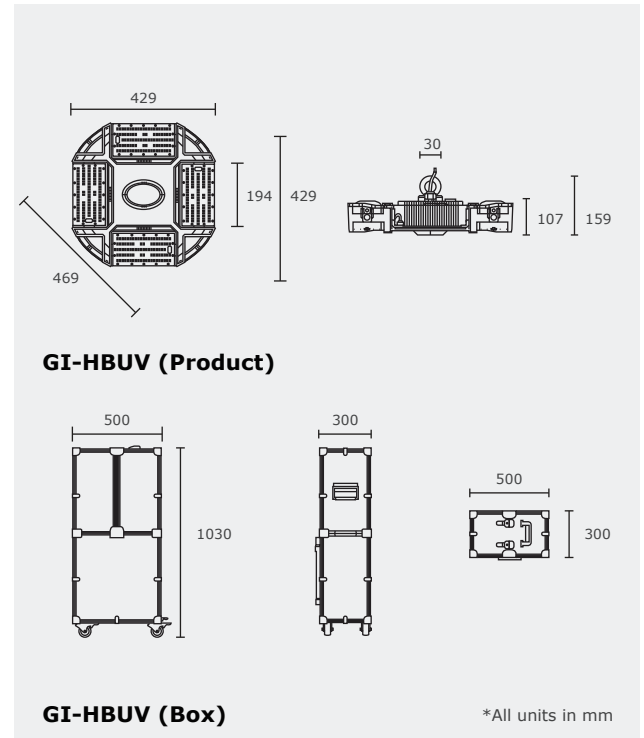


- Spectral wavelength: 200-280 nm
- Flexible target disinfection area
- Mobile and single placement
- Easy to transport and store
- Available applications



Product Specifications

Model	GI-HBUV
Power Consumption (W)	50 W, 100 W, 150 W, 200 W
Input Voltage	100-277V AC, 277V AC
Driver	Mean Well
Horizontal Rotation	X-360° (Box)
Vertical Rotation	Y-180° (Product)
PFC	> 0.95
Operating Temperature	-40°C~40°C
Dimension (Box)	500 x 300 x 1030 mm
Dimension (Product)	429 x 429 x 159 mm



Order Form

GI	Series	2	3	4	5
2. MODEL	3. TYPE	4. WATTAGE		5. VOLTAGE	
HBUV	B Box P Product	50 50 W 100 100 W	150 150 W 200 200 W	A 100-277V AC B 277V AC	

Features

1.

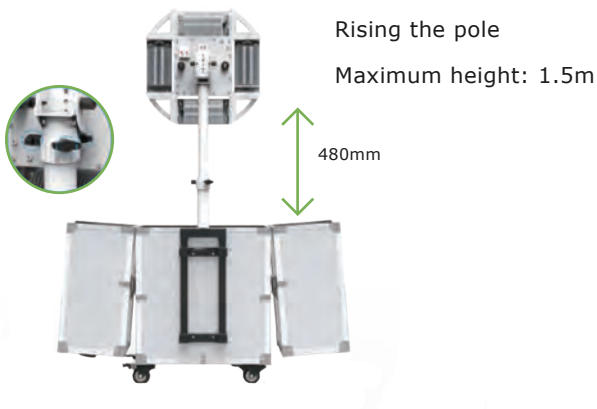


Unlock the box

2.



3.



Rising the pole
Maximum height: 1.5m

480mm

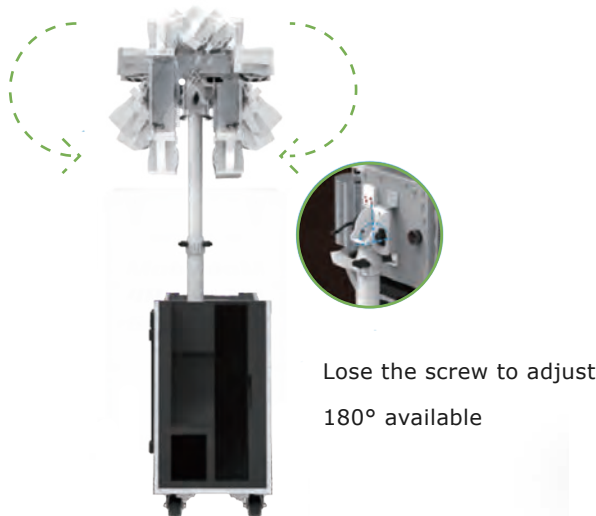
4.



Adjust to target direction

Step on to brake

5.



Lose the screw to adjust
180° available

6.



Adjust the modules for
360° full coverage

Toolless available
200° available

Ultraviolet C: The truly Effective Purification Wavelength 200-280nm.

UVC true ultraviolet short wave sterilization, no ozone, no mercury.

UVA and UVB

The lower spectrum wavelength of regular UV light. Not adequate and incapable for bacilli eradication.

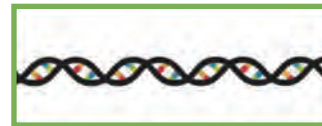
UV Tube

Heavy concentrations of High Ozone and potential leaked Mercury are extremely harmful to humans.

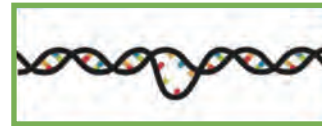
How UVC works?

UVC radiation is known to break the DNA of bacteria, viruses and spores. As a result, they are rendered harmless.

A mobile 4Bay-UV sterilizer is equivalent to 30pcs conventional UV tube.

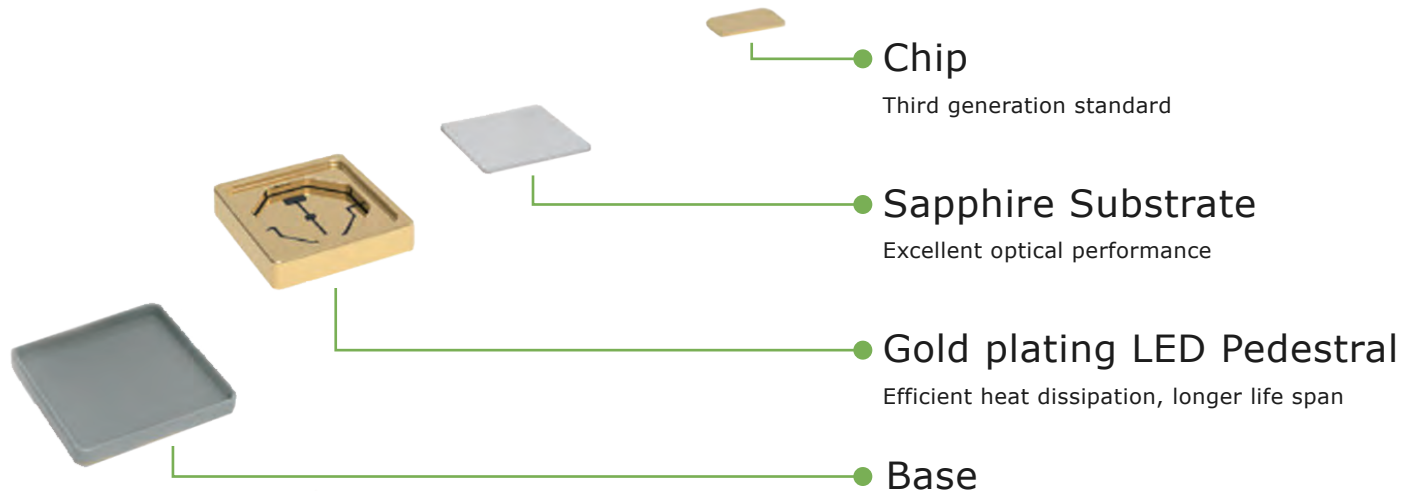


Before Irradiation

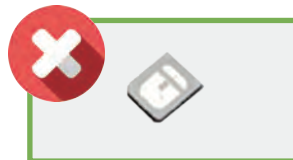


After Irradiation

Ultraviolet Chip Specification



200-280nm. The non visible precision UVC chip used in this product.

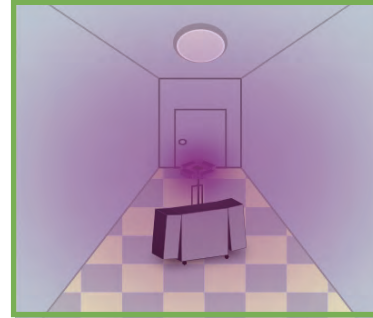


390-400nm. The purple visible UVA chip used in imitation pseudo products with no purification properties.

Work Pattern

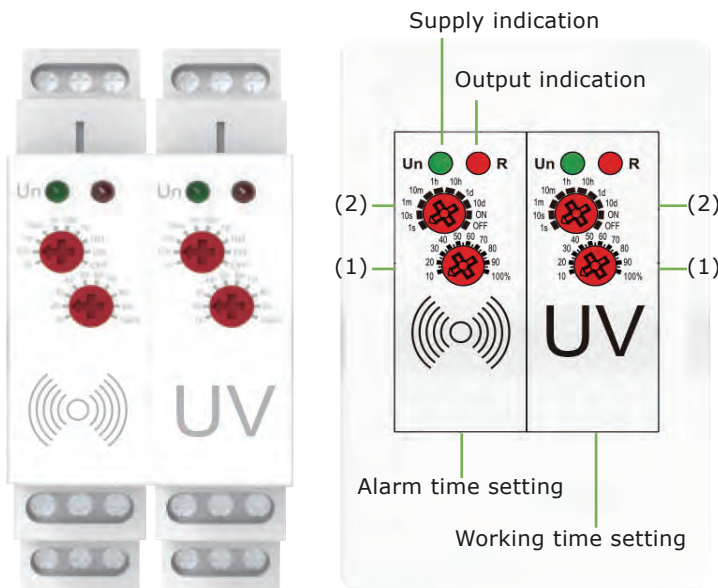


1. Switch the light on, start with 10 seconds alarm, please leave immediately!



2. The purification light start working, and automatically turned off after 2 hours (optional).

Setting Purification Time



Please rotate (2) to set timing, and rotate (1) to set the timing percentage.

For example: set the time to 2 hours, please rotate (2) to "10h" and (1) to 20%.

|TYPE: _____ |PROJECT: _____ |CATALOG#: _____ **4BAY-UV STERILIZER**

Spectral Wavelength

