

TYPE: PROJECT: CATALOG#: LED CEILING LIGHT



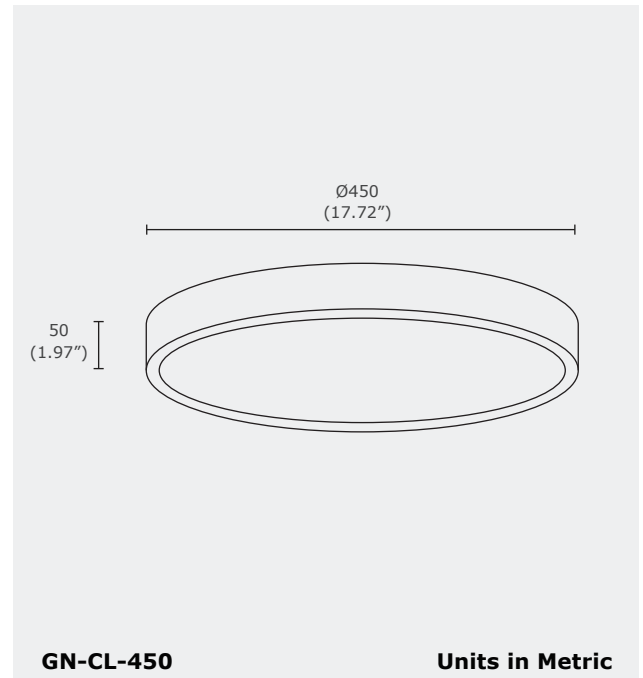
Product Features

GN-CL is a LED ceiling light with a design of round aluminum housing. It has an optimal cooling, microprismatic cover for eye comfort and RGBW function for decorative occasion. This product comes in 4 different mounting options.

Product Specifications

Model	GN-CL-450-18	GN-CL-450-26
Lumen Output	2000 lm	2800 lm
Power Consumption (W)	18 W	26 W
Efficacy	111 lm/W	107 lm/W
Input Voltage	120-277V AC	
Colour Temperature (CCT)	3000K, 3500K, 4000K	
CRI	Ra80	
Dimensions	Ø450 x 50 mm	
Beam Angle	90°	

Technical Drawing



DIMMABLE IESNA LM-79 IESNA LM-80 IP20 5 YEARS LIMITED WARRANTY INCLUDED

Order Form

GN	CL	450	4	5	6	7	8	9
Series	Model	Size						
4. WATTAGE	5. VOLTAGE	6. CCT	7. HOUSING	8. DIMMING	9. ACCESSORIES			
18 18 W	A 120-277V AC	30 3000K	BK Black	NN None	CS Cable Suspension			
26 26 W		35 3500K	WH White	DM 0-10V	RS Rod Suspension			
		40 4000K		TR TRIAC	SM Surface Mount			