

TYPE:

PROJECT:

CATALOG#:



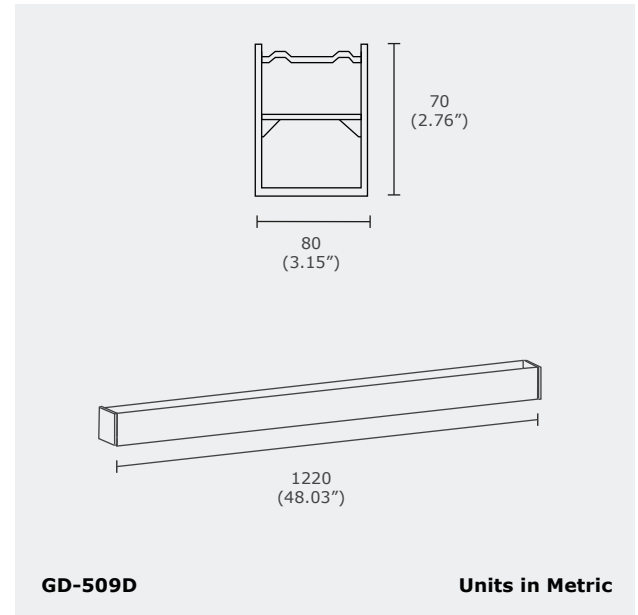
Product Features

GD-509D is a linear luminaire LED which suited for indoor applications. This light has different colour temperatures which can be selected, can join multiple units for longer & recess, surface or pendant mount runs

Product Specifications

Model	GD-509D-40	GD-509D-50
Lumen Output	3600 lm	4200 lm
Power Consumption	40 W	50 W
Input Voltage	100-277V AC	
Colour Temperature	3500K, 4000K	
Dimensions (mm)	1220 x 80 x 70 mm	
CRI	Ra80	
Beam Angle	120°	

Technical Drawing



Order Form

GD	-	-	-	-	-	-	-
Series	Model	3	4	5	6		
2. MODEL	3. WATTAGE	4. CCT	5. HOUSING	6. OPTIONS			
509D 509D	40 40 W 50 50 W	35 3500K 40 4000K	WH White SV Silver BK Black	DM 0-10V Dimming	RC Recess	PD Pendant	