

TYPE:

PROJECT:

CATALOG#:

LED WALL LIGHT



Product Features

GH-WL-17103 is a LED wall light which is suitable to install in outdoor and wet locations. Its body is made of aluminum with PC diffuser and the luminaires are built with LED integral power supply unit.

Product Specifications

| Model | GP-WL-17103 |
|--------------------------|-----------------------------------|
| Lumen Output | 1200 lm |
| Power Consumption (W) | 13 W |
| Efficacy | 92.3 lm/W |
| Input Voltage | 120-277V AC |
| Colour Temperature (CCT) | 2700K, 3000K, 3500K, 4000K, 5000K |
| CRI | Ra80 |
| IP Rating | IP65 |
| Dimensions | 277 x 97 x 65 mm |



IP65
WATER & DUST PROOF

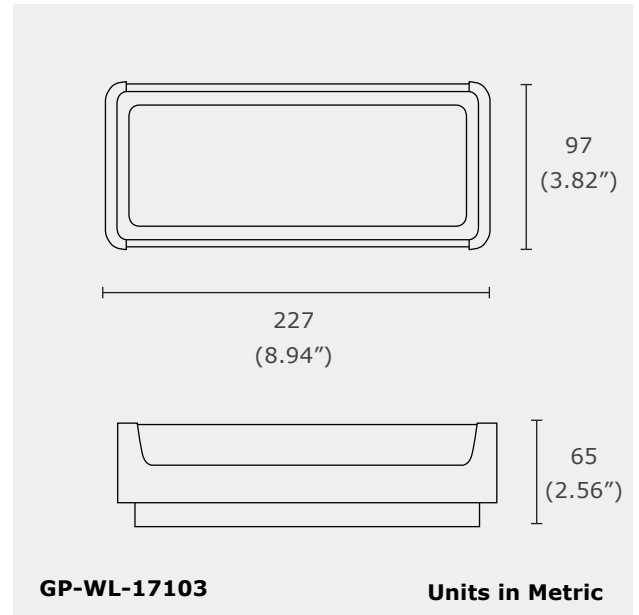
IESNA
LM-80

IESNA
LM-79



5 YEARS
LIMITED WARRANTY
INCLUDED

Technical Drawing



Order Form

| | | | | | | | | | | |
|-----------|---|-----------------|---|-----------|---|----------|---|----------|---|----------|
| GP | - | WL-17103 | - | 13 | - | A | - | 5 | - | 6 |
| Series | | Model | | Wattage | | Voltage | | | | |

| 2. Model | 3. WATTAGE | 4. VOLTAGE | 5. CCT | 6. HOUSING |
|--------------------------|----------------|----------------------|---|---|
| WL-17103 WL-17103 | 13 13 W | A 120-277V AC | 27 2700K 40 4000K 30 3000K 50 5000K 35 3500K | BL Black GR Gray SV Silver |