

TYPE: PROJECT: CATALOG#: LED WALL LIGHT

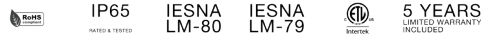


## Product Features

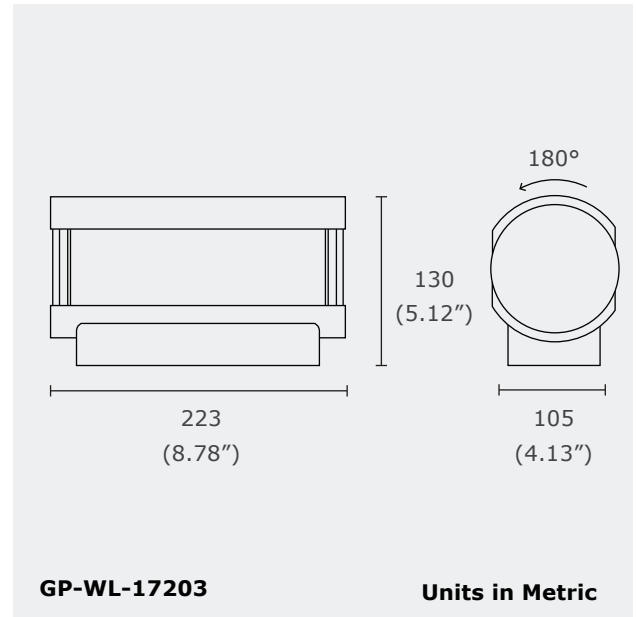
GH-WL-17203 is a LED wall light which is suitable to install in outdoor and wet locations. Its body is made of aluminum with PC diffuser and the luminaires are built with LED integral power supply unit. This is a 180° rotatable wall fixture.

## Product Specifications

Model	GP-WL-17203
Lumen Output	1200 lm
Power Consumption (W)	13 W
Efficacy	92.3 lm/W
Input Voltage	120-277V AC
Colour Temperature (CCT)	2700K, 3000K, 3500K, 4000K, 5000K
CRI	Ra80
IP Rating	IP65
Dimensions	223 x 130 x 105 mm



## Technical Drawing



## Order Form

GP	WL-17203	11	A	5	6
Series	Model	Wattage	Voltage		
<b>2. Model</b>	<b>3. WATTAGE</b>	<b>4. VOLTAGE</b>	<b>5. CCT</b>	<b>6. HOUSING</b>	
WL-17203	11 11 W	A 120-277V AC	27 2700K 40 4000K 30 3000K 50 5000K 35 3500K	BL Black	GR Gray
				SV Silver	