

TYPE:

PROJECT:

CATALOG#:



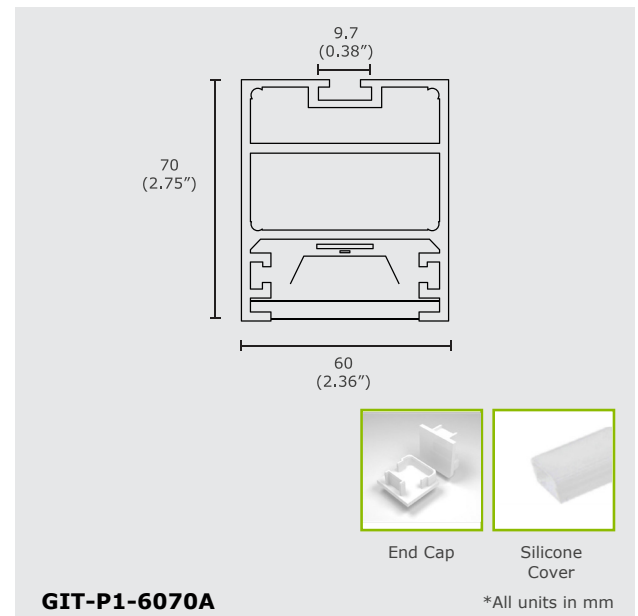
Product Features

GIT-P1-6070A is a modular profile that comes with end caps to attach onto the ends of the profiles. There are multiple ways to install this profile: suspension, pendant, or mounted on the wall. Silicone covers are optional and available between 1-20 meters.

Product Specifications

Model	GIT-P1-6070A
Length	1000 - 3000 mm
Dimensions	60 x 70 mm
Material	Aluminum
Max LED Strip	60 mm
Colour Option	Silver, Black, or White

Technical Drawing



5 YEARS
LIMITED WARRANTY
INCLUDED

Order Form

GIT		-		-		-		-		-		-		-	
Series	2	3	4	5	6	7									
2. MODEL	3. LENGTH	4. HOUSING	5. PROFILE	6. MOUNT	7. OPTIONS										
P1-6070A P1-6070A	10 1000 (1m) 20 2000 (2m) 30 3000 (3m)	SV Silver WH White BK Black	S Straight 3/4 3/4 Circle 1/4 1/4 Circle 1/2 1/2 Circle	SP Suspension PD Pendant WL Wall	SL Silicone cover ____m										

TYPE:

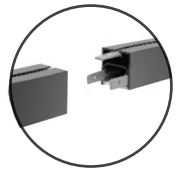
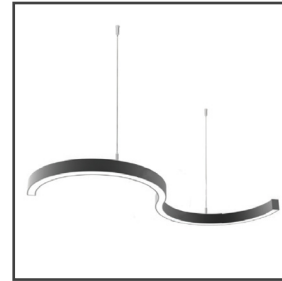
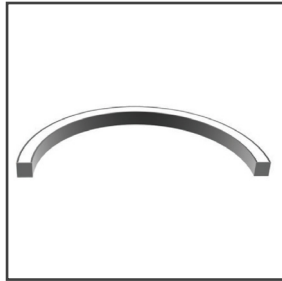
PROJECT:

CATALOG#:

Circular Profile Samples

Profile Shape

The shape of the profile can be customized and built with easily attachable ends



Circular Profile Samples

Other Splicing Methods

With customizations of either 1/4 circle, 1/2 circle or 3/4 of a circle, there are numerous combinations suitable for a wide range of design applications

