

TYPE:

PROJECT:

CATALOG#:



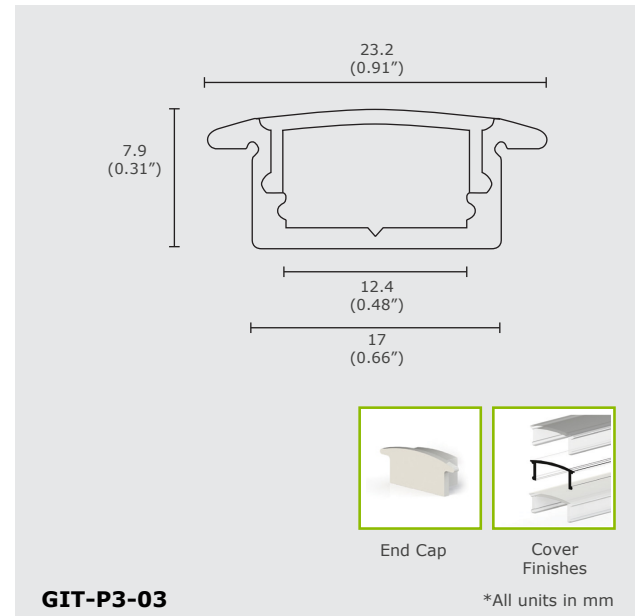
Product Features

GIT-P3-03 is a corner LED profile that comes with end caps to attach onto the ends of the profile. It is fantastic for accent lighting and choose clear, milky or frosted plastic cover. It is recommended to use with Green Image Tech's Strip lights, model GS-50BID.

Product Specifications

Model	GIT-P3-03
Length	2500 mm
Dimensions (mm)	23.2 x 7.9 mm
Material	Aluminum
Max LED Strip	12.4 mm
Cover Options	Clear, Milky or Frosted

Technical Drawing



5 YEARS LIMITED WARRANTY INCLUDED

Order Form

P3		-		-		-		-		
Series		2		3		4				
2. MODEL	3. LENGTH	4. OPTIONS								
03 03	2500 2500 (2.5m)	C	Clear	M	Milky	F	Frosted			