

TYPE:

PROJECT:

CATALOG#:



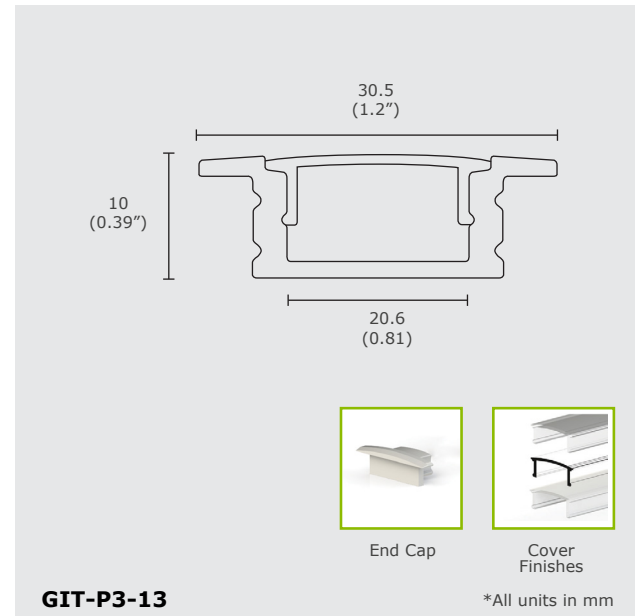
## Product Features

GIT-P3-13 is a decorative LED profile that comes with end caps to attach onto the ends of the profile. It is fantastic for accent lighting and comes in clear, milky, or frosted plastic cover options. It is recommended to use with Green Image's Strip Lights, GS-50XID.

## Product Specifications

Model	GIT-P3-13
Length	2500 mm
Dimensions (mm)	30.5 x 10 mm
Material	Aluminum
Max LED Strip	20.6 mm
Cover Options	Clear, Milky or Frosted

## Technical Drawing



5 YEARS LIMITED WARRANTY INCLUDED

## Order Form

P3		-		-		-		-		
Series		2		3		4				
<b>2. MODEL</b>	<b>3. LENGTH</b>	<b>4. COVER OPTIONS</b>								
13 13	2500 2500 (2.5m)	C	Clear	M	Milky	F	Frosted			