

TYPE:

PROJECT:

CATALOG#:



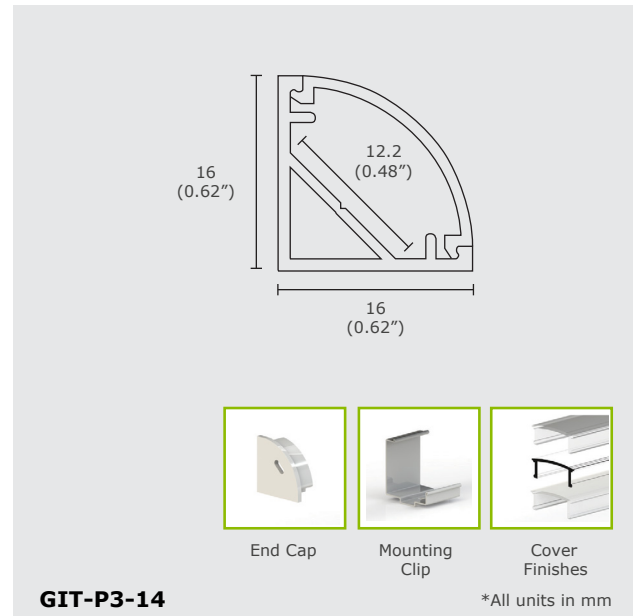
Product Features

GIT-P3-14 is a decorative LED profile that comes with end caps to attach onto the ends of the profile. It is fantastic for accent lighting and has optional mounting bracket available for a variety of surface mounting. Comes in clear, milky, or frosted plastic cover options. It is recommended to use with Green Image's Strip Lights, GS-50BID, NFX1, NFX2 & HFX.

Product Specifications

Model	GIT-P3-14
Length	2500 mm
Dimensions (mm)	16 x 16 mm
Material	Aluminum
Cover Options	Clear, Milky or Frosted

Technical Drawing



5 YEARS LIMITED WARRANTY INCLUDED

Order Form

P3	-	-	-	-	-
Series	2	3	4	5	
2. MODEL	3. LENGTH	4. COVER OPTIONS		5. OPTIONS	
14 14	2500 2500 (2.5m)	C	Clear M Milky F Frosted	MC Mounting Clip	