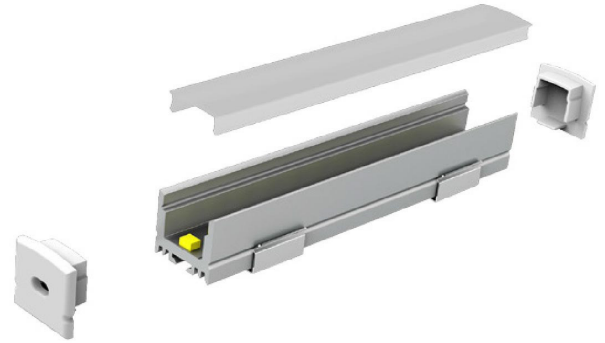


TYPE:

PROJECT:

CATALOG#:



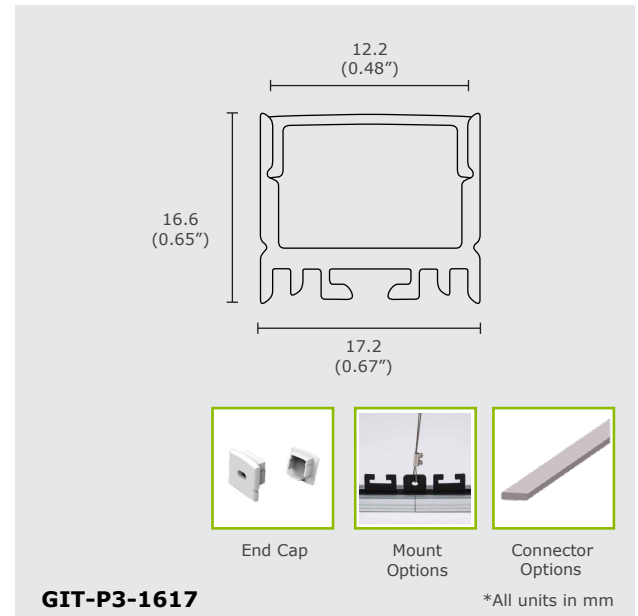
Product Features

GIT-P3-1617 is a waterproof decorative profile that comes with end caps to attach onto the ends of the profile. It has optional recessed, suspension, track and magnet mount available. Choose between anodized or painted finish for a look that would match your space.

Product Specifications

Model	GIT-P3-1617
Length	2500 mm
Dimensions (mm)	17.2 x 16.6 mm
Material	Aluminum
Max LED Strip	11.8 mm
Color	Silver, Black or White
Finish Options	Anodized or Painted

Technical Drawing



5 YEARS LIMITED WARRANTY INCLUDED

Order Form

P3		-		-		-		-		-		-		-	
Series		2		3		4		5		6		7			
2. MODEL	3. LENGTH	4. COLOR OPTIONS		5. FINISH OPTIONS		6. MOUNTING		7. CONNECTOR OPTIONS							
1617 1617	2500 2500 (2.5m)	S Silver	B Black	A Anodized	P Painted	R Recessed	T Track	S Standard	T T-Shape						
		W White				S Suspension	M Magnet	M Mini	90 90°						