

TYPE:

PROJECT:

CATALOG#:



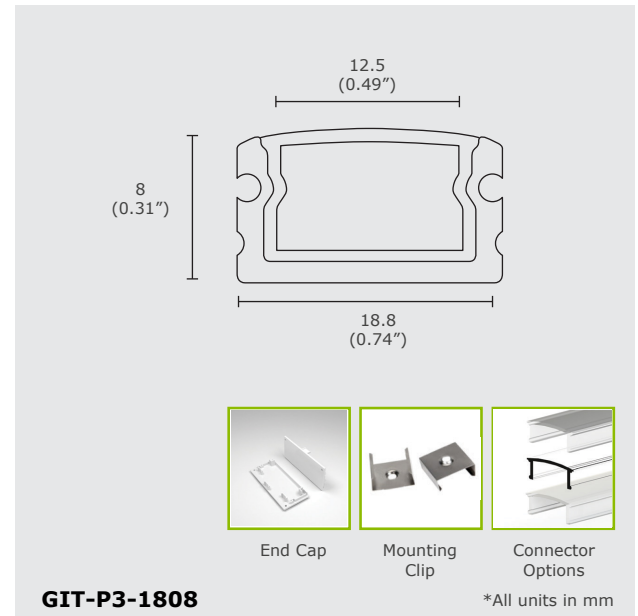
## Product Features

GIT-P3-1808 is a waterproof decorative profile that comes with end caps to attach onto the ends of the profile. It disperses heat efficiently and are available in anodized or painted finish. Choose between clear, milky or frosted plastic cover options.

## Product Specifications

<b>Model</b>	<b>GIT-P3-1808</b>
Length	2500 mm
Dimensions (mm)	18.8 x 8 mm
Material	Aluminum
Max LED Strip	12.5 mm
Colour	Silver, Black or White
Finish Options	Anodized or Painted
Cover Options	Clear, Milky or Frosted

## Technical Drawing



5 YEARS LIMITED WARRANTY INCLUDED

## Order Form

<b>P3</b>	-	-	-	-	-	-
Series	2	3	4	5	6	
<b>2. MODEL</b>	<b>3. COLOUR OPTIONS</b>	<b>4. FINISH OPTIONS</b>	<b>5. COVER OPTIONS</b>	<b>6. OPTIONS</b>		
<b>1808</b> 1808	<b>S</b> Silver <b>B</b> Black <b>W</b> White	<b>A</b> Anodized <b>P</b> Painted	<b>C</b> Clear <b>FR</b> Frosted <b>M</b> Milky	<b>MC</b> Mounting Clip		