

TYPE:

PROJECT:

CATALOG#:



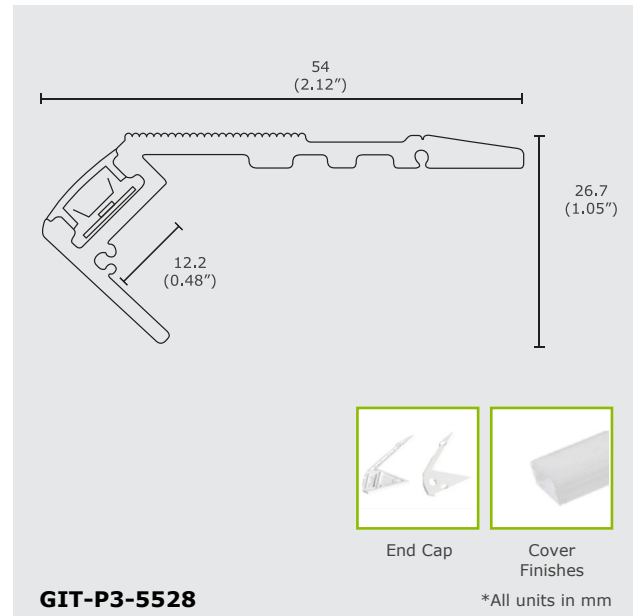
Product Features

GIT-P3-5528 is a staircase profile that comes with end caps to attach onto the ends of the profile. The diffuser cover makes it suitable for commercial and indoor lighting. Mounting clips are available and optional for a quick and simple installation.

Product Specifications

Model	GIT-P3-5528
Length	2500 mm
Dimensions (mm)	54 x 26.4 mm
Material	Aluminum
Max LED Strip	12.2 mm
Cover Options	Clear, Milky or Frosted
Colour Options	Silver, Black or White
Finish	Anodized or Painted

Technical Drawing



CE RoHS 5 YEARS LIMITED WARRANTY INCLUDED

Order Form

P3	-	-	-	-	-	-	-
Series	2	3	4	5	6		
2. MODEL	3. LENGTH	4. COVER OPTIONS	5. HOUSING	6. FINISH			
5528 5528	2500 2500 (2.5m)	C Clear M Milky F Frosted	SV Silver WH White BL Black	AN Anodized PT Painted			