



Product Features

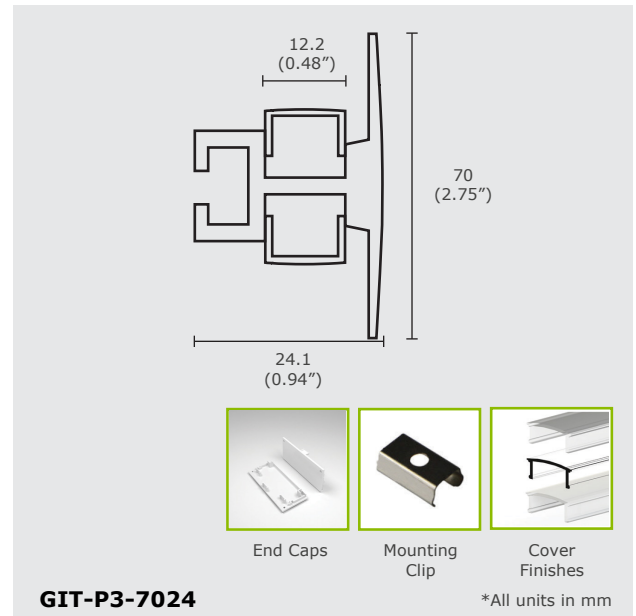
GIT-P3-7024 is a decorative profile that comes with end caps which will attach onto the ends of the profile. This profile is recommended use with GS-50NFX. There are optional mounting clips for a variety of surface mounts. This type available in various option : anodized or painted finish.

Product Specifications

Model	GIT-P3-7024
Length	2500 mm
Dimensions (mm)	46 x 99.8 mm
Material	Aluminum
Max LED Strip	12.5 mm
Housing	Silver, Black or White
Finish Options	Anodized or Painted
Cover Options	Clear, Milky, or Frosted

5 YEARS LIMITED WARRANTY INCLUDED

Technical Drawing



Order Form

P3		-		-		-		-	
Series	2	3	4	5					
2. MODEL	3. HOUSING	4. FINISH OPTIONS	5. COVER OPTIONS						
7024 7024	S Silver B Black W White	A Anodized P Painted	S Clear FR Frosted W Milky						