

TYPE:

PROJECT:

CATALOG#:



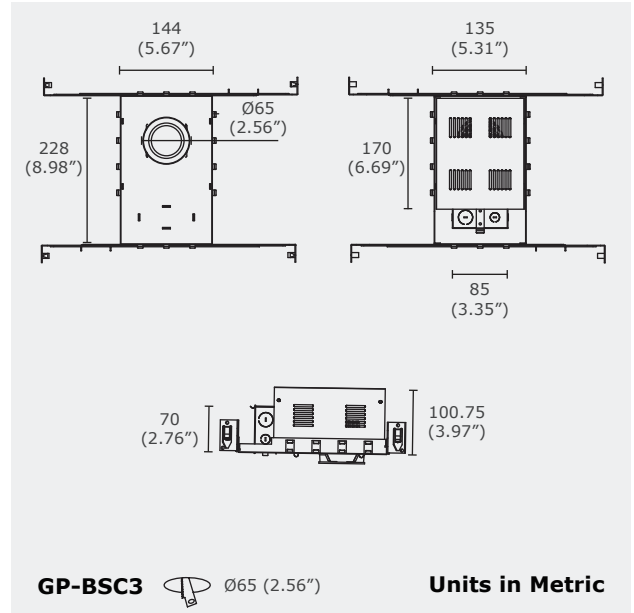
Product Features

GP-BSC3 is a LED downlight with complex double focus optical system. Available in various lens options. It is the best choice for shops and general lightings

Product Specifications

Model	GP-BSC3
Lumen Output	1200 lm
Power Consumption (W)	12 W
Input Voltage	120-277V AC
Colour Temperature (CCT)	2700K, 3000K, 3500K, 4000K
CRI	Ra 90
Dimensions (mm)	228 x 144 x 100.75 mm
Beam Angle	15°, 24°, 36°
IP Rating	IP54

Technical Drawing



IP54 IESNA LM-79 IESNA LM-80 5 YEARS LIMITED WARRANTY INCLUDED

Order Form

GP	-	-	-	-	-	-	-	-
Series	Model	3	4	5	6	7		
2. MODEL	3. VOLTAGE	4. CCT		5. BEAM ANGLE		6. HOUSING		7. LENS
BSC3 BSC3	A 120-277V AC	27 2700K 35 3500K	15 15° 36 36°	BL Black GR Grey	GL Glass SF Smooth Filter	30 3000K 40 4000K	24 24°	WH White DF Diffuser HC Honey Comb