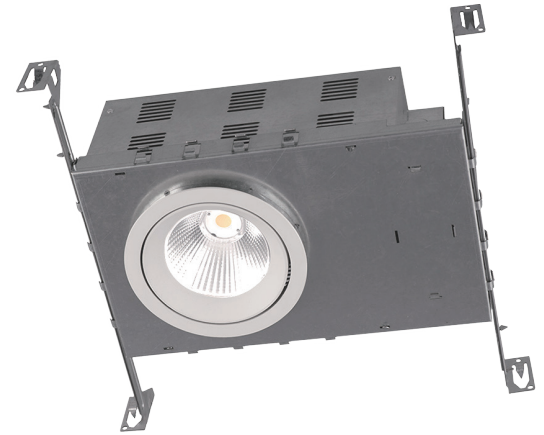


TYPE:

PROJECT:

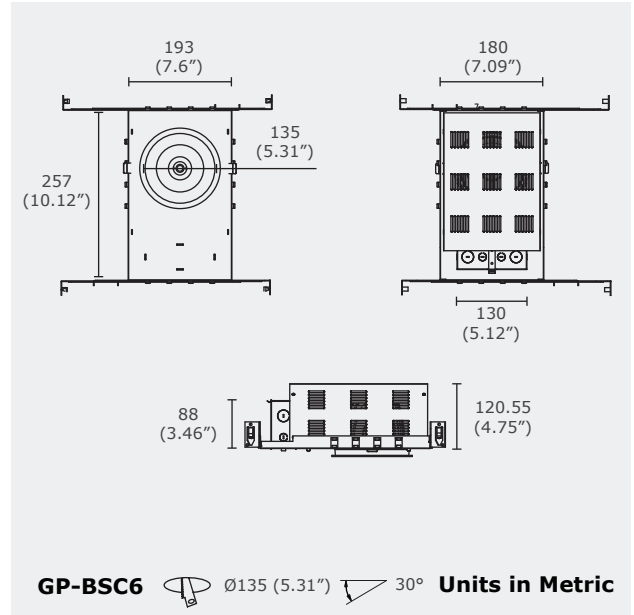
CATALOG#:



## Product Features

GP-BSC6 is a LED downlight with complex double focus optical system. Available in various lens options. It is the best choice for shops and general lightings. Also available for wall washer option.

## Technical Drawing



## Product Specifications

Model	GP-BSC6	GP-BSC6-W
Lumen Output	3000 lm	3000 lm
Power Consumption (W)	30 W	30 W
Input Voltage	120-277V AC	
Colour Temperature (CCT)	2700K, 3000K, 3500K, 4000K	
CRI	Ra 90	
Dimensions (mm)	193 x 257 x 120.55 mm	
Beam Angle	15°, 24°, 36°	30°
IP Rating	IP54	

IP54  
ROHS  
CE  
IESNA LM-79  
IESNA LM-80  
5 YEARS LIMITED WARRANTY INCLUDED

## Order Form

GP	-	-	-	-	-	-	-	-
Series	Model	3	4	5	6	7		
<b>2. MODEL</b>	<b>3. VOLTAGE</b>	<b>4. CCT</b>	<b>5. BEAM ANGLE</b>	<b>6. HOUSING</b>	<b>7. LENS</b>			
BSC6 BSC6	A 120-277V AC	27 2700K 35 3500K	15 15° 30 30°	BL Black GR Grey	GL Glass SF Smooth Filter			
BSC6-W BSC6-W		30 3000K 40 4000K	24 24° 36 36°	WH White	DF Diffuser HC Honey Comb			

\*30° is only available on Wall Washer Model