

TYPE: PROJECT: CATALOG#: LED DOWNLIGHT



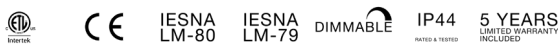
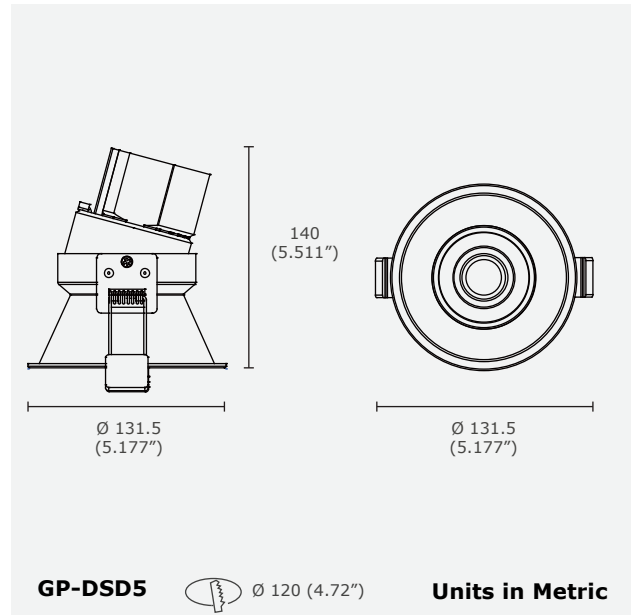
Product Features

The GP-DSD5 is a modern looking LED downlight that features an easy "push and lock" assembly method. Perfect for new or retro-fit installations with a 120mm hole cut-out. This versatile fixture is suitable for damp locations and is 20° tiltable. Triac and 1-10V dimmable option also available.

Product Specifications

Model	GP-DSD5
Lumen Output	1800 lm
Power Consumption (W)	24 W
Input Voltage	120-277V AC
Colour Temperature (CCT)	3000K, 3500K, 4000K
Dimensions	Ø 131.5 x 140 mm
Beam Angle	15°, 24°, 36°
IP Rating	IP44

Technical Drawing

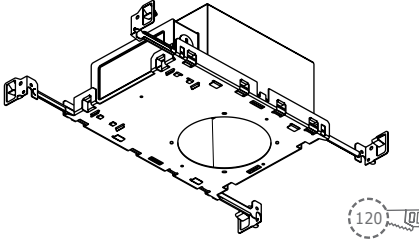


Order Form

GP	DSD5	3	4	5	6	7	8	9	10
Series	Model								
3. WATTAGE	5. CCT	6. BEAM ANGLE	8. FINISH	9. HOUSING	10. DIMMING				
24 24 W	30 3000K 35 3500K 40 4000K	15 15° 24 24° 36 36°	BL Black WH White GR Gray	A GH-NC5-R B GH-F5R C GH-NC5-ICR	NN None DM 0-10V TR TRIAC				
4. VOLTAGE		7. CRI							
A 120-277V AC		80 Ra 80 90 Ra 90							

Compatible Housing

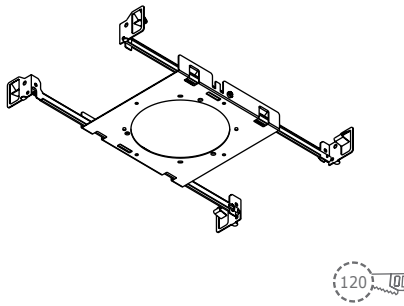
NON-INSULATED



A: GH-NC5-R

Round Frame in

L 267mm
W 197mm
H 115mm

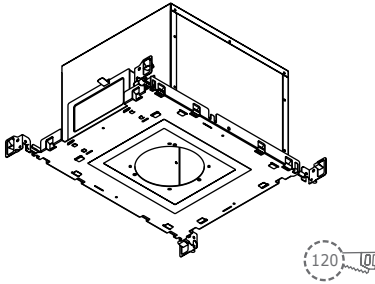


B: GH-F5R

Round New Construction Plate

L 166mm
W 162mm
H 26mm

INSULATED



C: GH-NC5-ICR

Round Insulated Airtight

L 350mm
W 277mm
H 207mm