

TYPE: PROJECT: CATALOG#: LED DOWNLIGHT



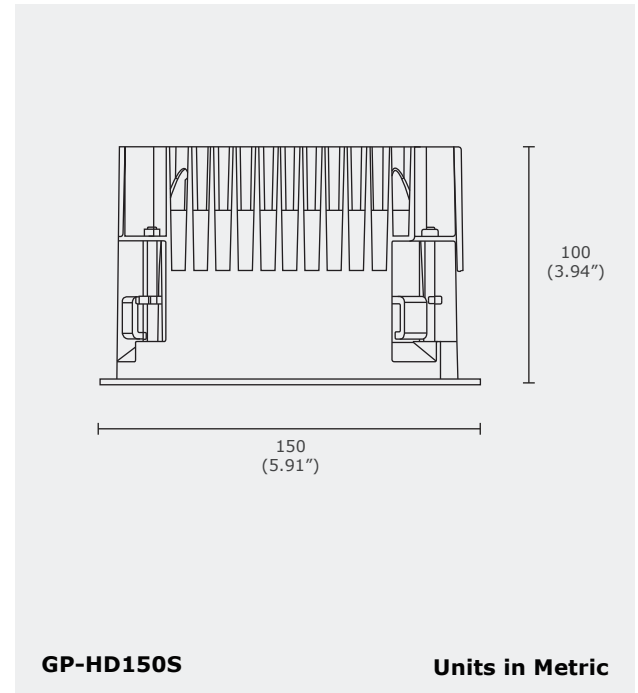
## Product Features

GP-HD150S is a LED durable design downlight with high efficiency and functionality. This light has narrow, medium and flood beam angles. Reflectors of matte, white and black colours. Also applicable to all typical downlight contexts, IP Rated.

## Product Specifications

Model	GP-HD150S-21	GP-HD150S-28
Lumen Output	2000 - 2500 lm	2700 - 3300 lm
Power Consumption (W)	21 W	28 W
Input Voltage	120-277V AC, 347V AC	
LED Current	500 mA	
Colour Temperature (CCT)	Ra 80, Ra 90	
CRI	2700K, 3000K, 3500K, 4000K	
Dimensions (mm)	30°, 60°	
Beam Angle	150 x 150 x 100 mm	
IP Rating	IP54	

## Technical Drawing



 IESNA LM-80 IESNA LM-79 IP54 5 YEARS LIMITED WARRANTY INCLUDED

## Order Form

GP	HD-150S	3	4	5	6	7	8	9
Series	Model							
<b>3. WATTAGE</b>	<b>4. VOLTAGE</b>	<b>5. BEAM ANGLE</b>	<b>6. CCT</b>	<b>7. DIMMING</b>	<b>8. HOUSING</b>	<b>9. CRI</b>		
<b>21</b> 21 W	<b>A</b> 120-277V AC	<b>30</b> 30°	<b>27</b> 2700K	<b>DL</b> DALI	<b>M</b> Matte	<b>80</b> Ra80		
<b>28</b> 28 W	<b>B</b> 347V AC	<b>60</b> 60°	<b>30</b> 3000K	<b>DM</b> 0-10V	<b>W</b> White	<b>90</b> Ra90		
			<b>35</b> 3500K	<b>TR</b> TRIAC	<b>B</b> Black			
			<b>40</b> 4000K					