

TYPE: PROJECT: CATALOG#: LED DOWNLIGHT



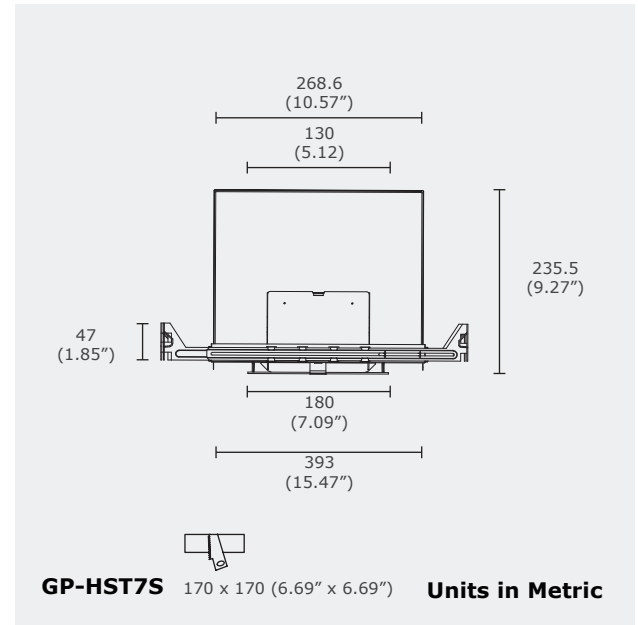
## Product Features

GP-HST7S is a LED downlight with pure aluminum anodized reflector which has two luminous efficiencies, wall wash and vertical. Made from high-quality aluminum die-casting material body and surface frame

## Technical Drawing

## Product Specifications

Model	GP-HST7S
Lumen Output	4000 lm
Power Consumption (W)	40 W
Input Voltage	120-277V AC
Colour Temperature (CCT)	2700K, 3000K, 3500K, 4000K
CRI	Ra 90
Dimensions (mm)	393 x 202.1 mm
Beam Angle	15°, 24°, 36°
IP Rating	IP20



## Order Form

GP	HST7S	3	4	5	6	7	8	9
Series	Model							
<b>3. WATTAGE</b>	<b>4. VOLTAGE</b>	<b>5. BEAM ANGLE</b>	<b>6. CCT</b>	<b>7. HOUSING</b>	<b>8. LENS</b>	<b>9. ACCESSORIES</b>		
<b>40</b> 40 W	<b>A</b> 120-277V AC	<b>15</b> 15° <b>24</b> 24° <b>36</b> 36°	<b>27</b> 2700K <b>30</b> 3000K <b>35</b> 3500K <b>40</b> 4000K	<b>BL</b> Black <b>WH</b> White <b>GR</b> Grey	<b>WH</b> White <b>BL</b> Black <b>SC</b> Scrub <b>GR</b> Grey	<b>GL</b> Glass <b>DF</b> Diffusing Filter <b>SF</b> Smooth Filter <b>HC</b> Honey Comb		