

TYPE: PROJECT: CATALOG#: LED DOWNLIGHT



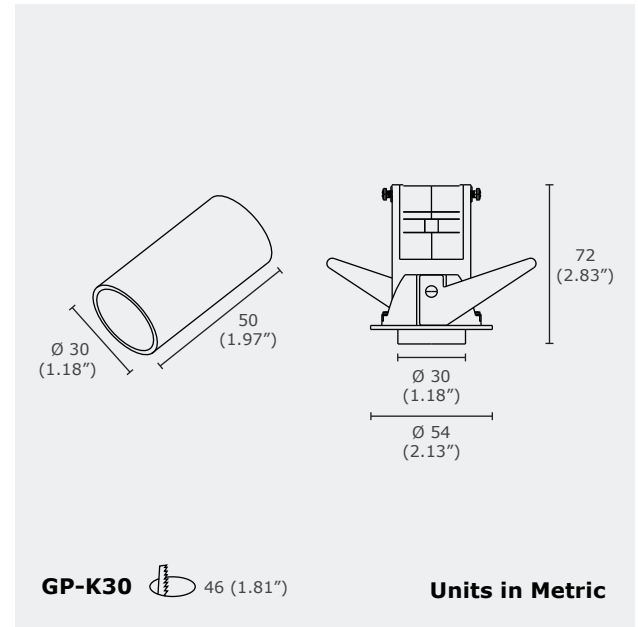
Product Features

GP-K30 is a LED downlight with extruded aluminum alloy. Decorative with ring of black, white and gold. The option of dimming is 1-10V Dimming with flexible lighting schemes & 350° rotatable and 90° tilt.

Technical Drawing

Product Specifications

Model	GP-K30
Lumen Output	300-350 lm
Power Consumption (W)	4 W
Input Voltage	120-277V AC
Colour Temperature (CCT)	2700K, 3000K, 3500K, 4000K
CRI	Ra 80, Ra 90
Dimensions (mm)	Ø 54 x 72 mm
Beam Angle	12°, 24°, 30°



Order Form

GP	-	K30	-	3	-	4	-	5	-	6	-	7	-	8
Series		Model												
3. WATTAGE		4. VOLTAGE		5. CCT		6. BEAM ANGLE		7. DECORATIVE RING		8. DIMMING				
4 4 W		A 120-277V AC		27 2700K 30 3000K 35 3500K 40 4000K		15 15° 24 24° 30 30°		BK Black WH White GD Gold		NN None PD Phase Dim DM 1-10V DL DALI				