

TYPE:

PROJECT:

CATALOG#:

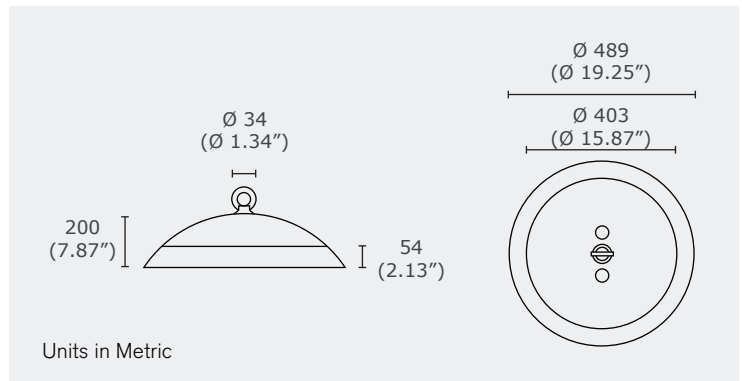
FOOD APPLICATION HIGH BAY



## Product Features

GI-HBC is a food application high bay which constructed of aluminum alloy & has intelligent control - dimmable/ DALI control. This light is designed for food processing applications and also ideal for flood lighting.

## Technical Drawing



## Order Form

GI Series	HBC Model		3	4	5	6	7						
<b>3.WATTAGE</b>	<b>100</b>	<b>150</b>	<b>4.VOLTAGE</b>		<b>5.CCT</b>		<b>6.BEAM ANGLE</b>		<b>7.CRI</b>				
100W	150W	A	120-277V AC	35	3500K	50	5000K	50	50°	120	120°	80	Ra80
120W	200W	B	347V AC	40	4000K			90	90°			90	Ra90

## Product Specifications

Model	Lumen Output	Power	Size	Efficacy	Input Voltage	Colour Temperature	CRI	IP
GI-HBC	13000lm	100W	Ø489 x 200 mm	130lm/W	120-277V AC, 347V AC	3000K,4000K,5000K	Ra80, Ra90	IP66
	15600lm	120W						
	19500lm	150W						
	26000lm	200W						