

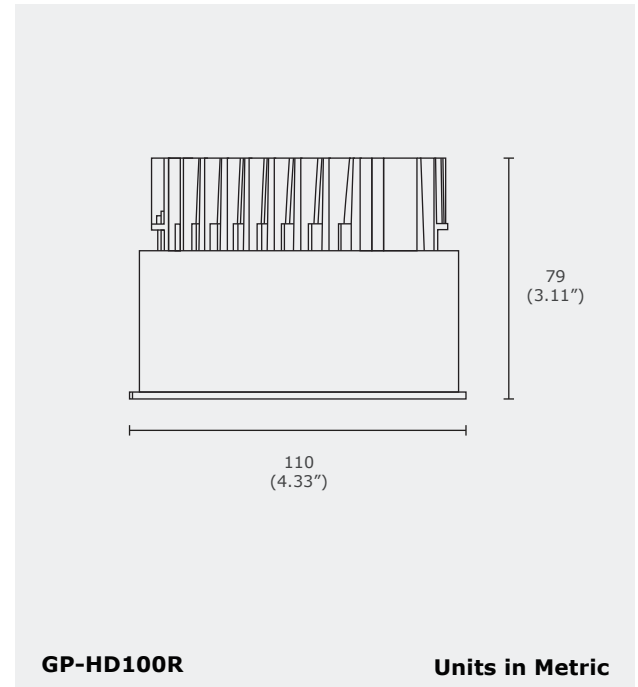
TYPE: PROJECT: CATALOG#: LED DOWNLIGHT



## Product Features


GP-HD100R is a LED durable design downlight with high efficiency and functionality. This light has narrow, medium and flood beam angles which can reflect of matte, white and black colours. Also applicable to all typical downlight contexts, IP Rated.

## Technical Drawing



## Product Specifications

| Model                    | GP-HD100R-11               | GP-HD100R-15 |
|--------------------------|----------------------------|--------------|
| Lumen Output             | 1000-1200 lm               | 1300-1600 lm |
| Power Consumption (W)    | 11 W                       | 15 W         |
| Input Voltage            | 120-277V AC, 347V AC       |              |
| LED Current              | 260 mA                     |              |
| Colour Temperature (CCT) | 2700K, 3000K, 3500K, 4000K |              |
| CRI                      | Ra 80, Ra 90               |              |
| Dimensions (mm)          | Ø 110 x 79 mm              |              |
| Beam Angle               | 30°, 50°                   |              |
| IP Rating                | IP54                       |              |


 IESNA LM-80 IESNA LM-79 IP54 5 YEARS LIMITED WARRANTY INCLUDED

## Order Form

| GP                | HD-100R           | 3                    | 4                 | 5                 | 6                 | 7             | 8 | 9 |
|-------------------|-------------------|----------------------|-------------------|-------------------|-------------------|---------------|---|---|
| Series            | Model             |                      |                   |                   |                   |               |   |   |
| <b>3. WATTAGE</b> | <b>4. VOLTAGE</b> | <b>5. BEAM ANGLE</b> | <b>6. CCT</b>     | <b>7. DIMMING</b> | <b>8. HOUSING</b> | <b>9. CRI</b> |   |   |
| 11 11 W           | A 120-277V AC     | 30 30°               | 27 2700K 35 3500K | DL DALI           | M Matte           | 80 Ra80       |   |   |
| 15 15 W           | B 347V AC         | 50 50°               | 30 3000K 40 4000K | DM 0-10V          | W White           | 90 Ra90       |   |   |
|                   |                   |                      | CCT Tunable White | TR TRIAC          | B Black           |               |   |   |