

TYPE: PROJECT: CATALOG#: LED DOWNLIGHT



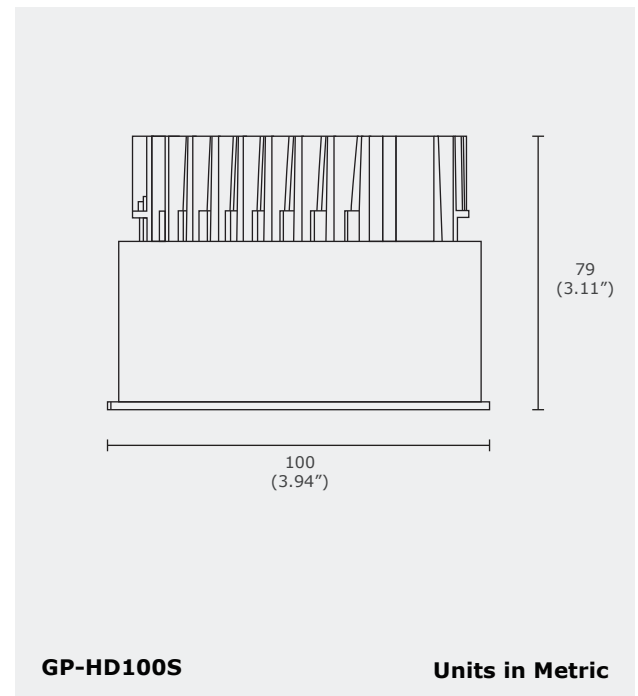
Product Features



GP-HD100S is a LED durable design downlight with high efficiency and functionality. This light has narrow, medium and flood beam angles. Reflectors of matte, white and black colours. Also applicable to all typical downlight contexts, IP Rated.



Product Specifications

Model	GP-HD100S-11	GP-HD100S-15
Lumen Output	1000-1200 lm	1300-1600 lm
Power Consumption (W)	11 W	15 W
Input Voltage	120-277V AC, 347V AC	
LED Current	260 mA	
Colour Temperature (CCT)	2700K, 3000K, 3500K, 4000K	
CRI	Ra 80, Ra 90	
Dimensions (mm)	100 x 100 x 79 mm	
Beam Angle	30°, 50°	
IP Rating	IP54	

Technical Drawing



Order Form

GP	HD-100S	3	4	5	6	7	8	9
Series	Model							
3. WATTAGE	4. VOLTAGE	5. BEAM ANGLE	6. CCT	7. DIMMING	8. HOUSING	9. CRI		
11 11 W	A 120-277V AC	30 30°	27 2700K 35 3500K	DL DALI	M Matte	80 Ra80		
15 15 W	B 347V AC	50 50°	30 3000K 40 4000K	DM 0-10V	W White	90 Ra90		
			CCT Tunable White	TR TRIAC	B Black			