

TYPE: PROJECT: CATALOG#: LED DOWNLIGHT



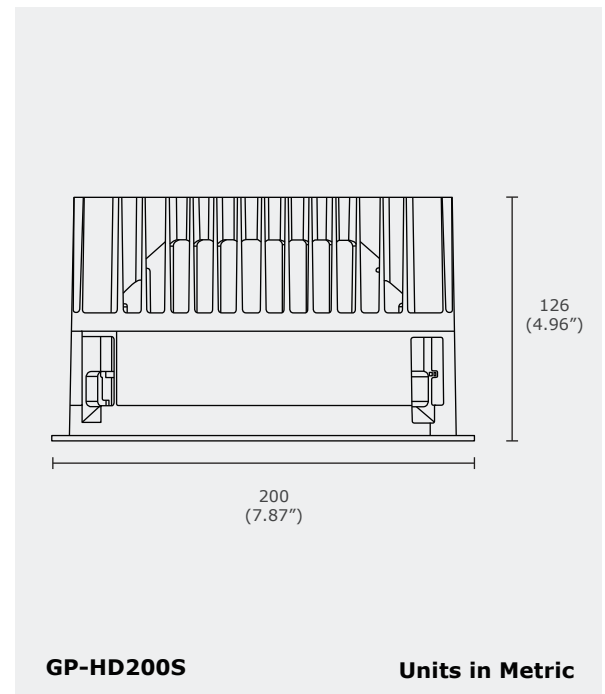
## Product Features






GP-HD200S is a LED durable design downlight with high efficiency and functionality. This light has narrow, medium and flood beam angles. Reflectors of matte, white and black colours. Also applicable to all typical downlight contexts, IP Rated.

## Technical Drawing

## Product Specifications

Model	HD200S-28	HD200S-42	HD200S-56
Lumen Output	2800 - 3400 lm	3900 - 4600 lm	4800 - 5600 lm
Power Consumption (W)	28 W	42 W	56 W
Input Voltage	120-277V AC, 347V AC		
LED Current	700 mA		
Colour Temperature (CCT)	Ra 80, Ra 90		
CRI	2700K, 3000K, 3500K, 4000K		
Dimensions (mm)	18°, 30°, 60°		
Beam Angle	200 x 200 x 126 mm		
IP Rating	IP54		



## Order Form

GP	HD-200S	3	4	5	6	7	8	9
Series	Model							
<b>3. WATTAGE</b>	<b>4. VOLTAGE</b>	<b>5. BEAM ANGLE</b>	<b>6. CCT</b>	<b>7. DIMMING</b>	<b>8. HOUSING</b>	<b>9. CRI</b>		
<b>28</b> 28 W	<b>A</b> 120-277V AC	<b>18</b> 18°	<b>27</b> 2700K <b>35</b> 3500K	<b>DL</b> DALI	<b>M</b> Matte	<b>80</b> Ra80		
<b>42</b> 42 W	<b>B</b> 347V AC	<b>30</b> 30°	<b>30</b> 3000K <b>40</b> 4000K	<b>DM</b> 0-10V	<b>W</b> White	<b>90</b> Ra90		
<b>56</b> 56 W		<b>60</b> 60°	<b>CCT</b> Tunable White	<b>TR</b> TRIAC	<b>B</b> Black			