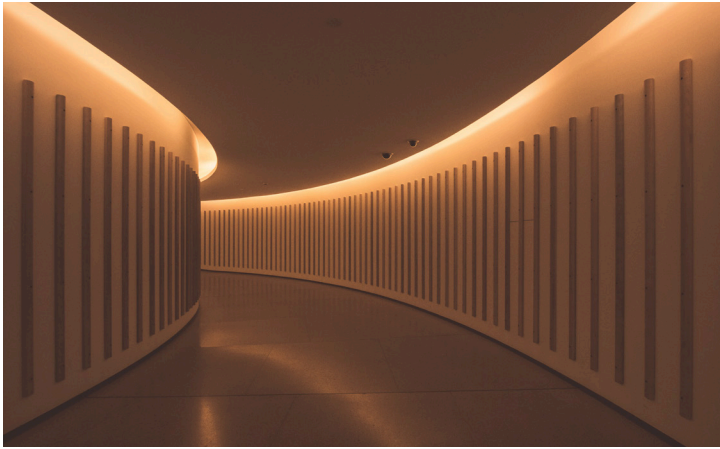


TYPE: _____ PROJECT: _____ CATALOG#: _____ RIGID STRIP LIGHT

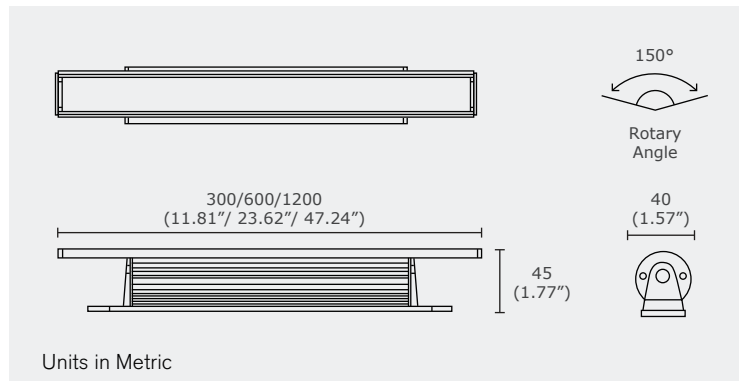


Product Features

GW-LMFL is a rigid strip light, intended for decorative indoor lighting that useful for applications in coves or ceiling. Available in 8 watts and 16 watts. Sizes vary according to model. LED complies with IESNA LM-79 and LM-80.



Technical Drawing



Order Form

GW Series	LMFL Model	3	4	5	6	7											
3.WATTAGE		4.VOLTAGE		5.CCT		6.BEAM ANGLE		7. DIMMING									
8	8W	30	30W	A	24V DC	C	277V AC	30	3000K	40	4000K	15	15°	35	35°	NN	None
16	16W			B	120-240V AC			35	3500K	50	5000K	25	90°	20x40	20x40°	DM	0-10V Dimming

Product Specifications

Model	Lumen Output	Power	Size	Input Voltage	Colour Temperature	CRI	Weight
GW-LMFL8	Varies	8W	300x40x45 mm	24V DC, 120-277V AC, 347V AC	3000K,3500K,4000K,5000K	Ra80	0.35kg
GW-LMFL16	Varies	16W	600x40x45 mm				0.75kg
GW-LMFL30	Varies	30W	1200x40x45 mm				1.5kg

Hardwire Power Supplies and Accessories

Part Name	Description
DR-CV-12W	12W Triac Dimming driver
DR-CV-20W	20W Triac Dimming driver
DR-CV-30W	30W Triac Dimming driver
DR-CV-40W	40W Triac Dimming driver
DR-CV-60W	60W Triac Dimming driver
DR-CV-80W	80W Triac Dimming driver
E40L	40W Triac Dimming driver
E60L	60W Triac Dimming driver
E96L	100W Triac Dimming driver
M150L	150W Triac Dimming driver
M200L	200W Triac Dimming driver
M300L	300W Triac Dimming driver



Dimmable Power Supply (DR-CV-XXW)



Dimmable Power Supply (M_XX)



Dimmable Power Supply (E_XXL)

Dimmable Drivers

Please see our driver catalog for more options.

[Catalog](#)