

TYPE:

PROJECT:

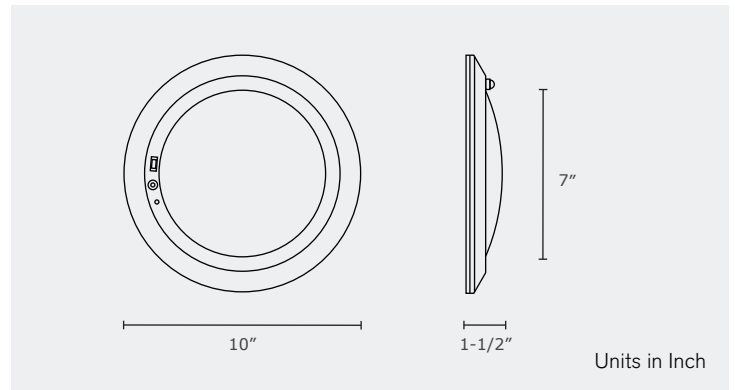
CATALOG#:



## Product Features

- Made of durable aluminum body with PC diffuser, minimizing signal interference.
- Easy to install with keyholes for multiple ceiling box configurations
- With PIR motion sensor, it automatically turn on the light and off after 30 seconds.
- Switchable between **Daylight Mode** and **Night mode**.

## Technical Drawing



IP44  
RATED & TESTED

IESNA  
LM-79

IESNA  
LM-80

5 YEARS  
LIMITED WARRANTY  
INCLUDED

## Product Specifications

Model	Lumen Output	Wattage	Efficacy	Input Voltage	Colour Temperature	CRI	PFC	BEAM ANGLE	IP Rating
GN-PIR-10	1300 lm	18 W	72 W/lm	120V AC	3000K, 4000K, 5000K	Ra80	>0.90	120°	IP44

## Order Form

GN - PIR-10 - 3 - 4 - 5 - 6

Series

3.WATTAGE		4.VOLTAGE		5.CCT		6. FINISH	
18	18 W	A	120V AC	30	3000K	50	5000K
				40	4000k	WH	White
						BN	Brushed Nickel
						BK	Black

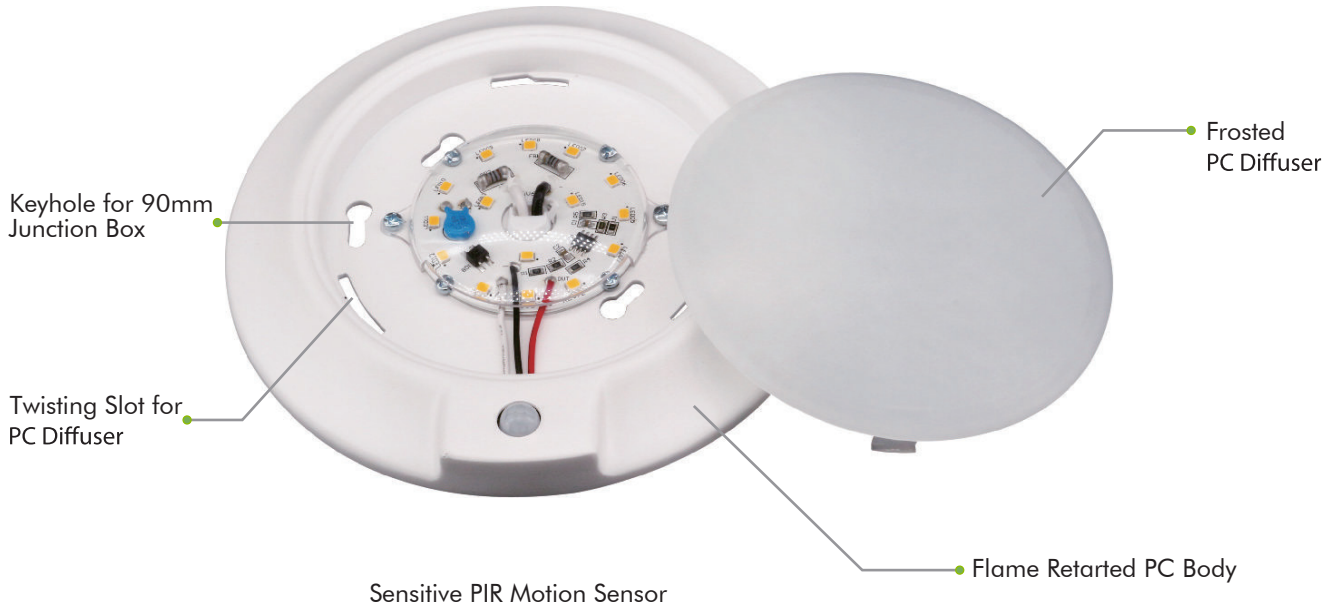
|TYPE:

|PROJECT:

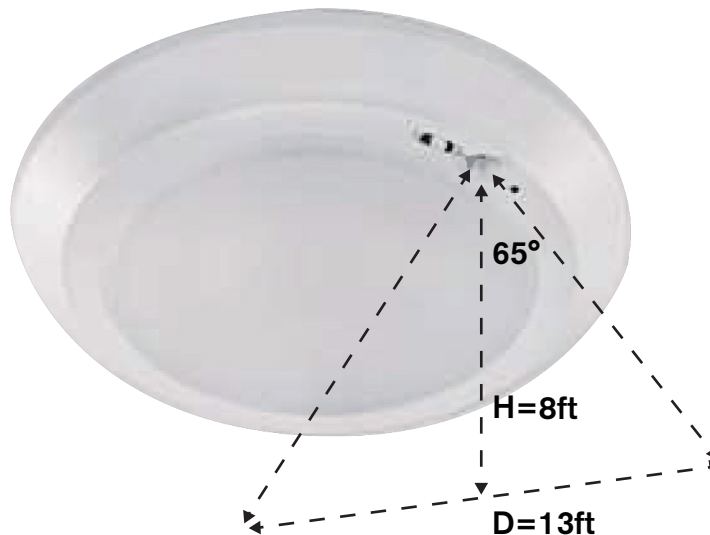
|CATALOG#:

4" & 6" LED CLOSET LIGHT WITH PIR MOTION SENSOR

High Quality LED Chips  
Brighter with Lower Consumption



## Effective Induction Area



## Light Mode

1. Daylight mode: Turns the light ON at the day and night time whenever motion is detected
2. Night mode: Turns the light ON when motion is detected and the space light intensity is <math>< 50\text{lux}</math>