

TYPE:

PROJECT:

CATALOG#:

ADJUSTABLE INGROUND LIGHT



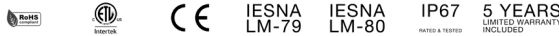
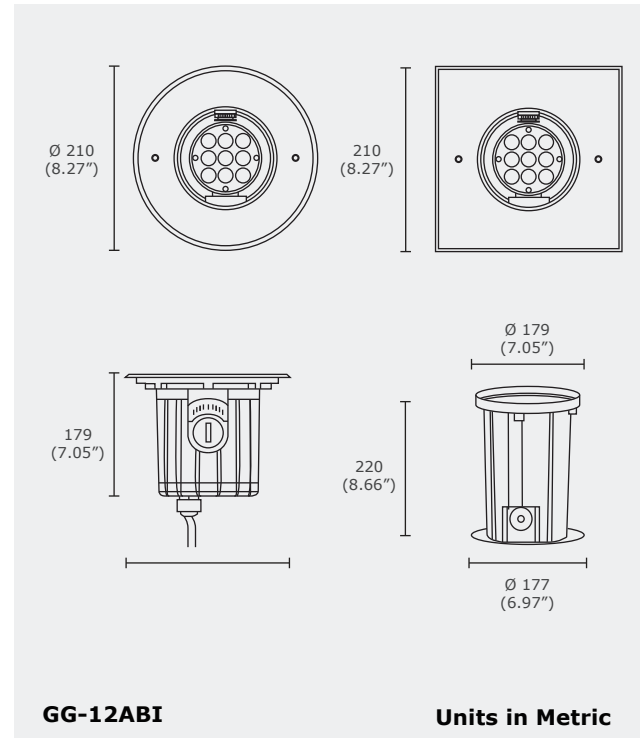
Product Features

GG-12ABI is an in-ground light with adjustable light distribution to perfectly illuminate any room. The body of this light fixture is die-cast gray powder coated aluminum with a chrome plated stainless steel cover, and step tempered white coating glass to ensure durability.

Product Specifications

Model	GG-12ABI
Lumen Output	1000 lm
Power Consumption (W)	12 W
Efficacy	83 lm/W
Input Voltage	24V DC, 120/240V AC
Colour Temperature (CCT)	3000K, 4000K
Dimensions	Ø 210 x 179 mm
Operating Temperature	-20°C ~ 40°C
IP Rating	IP67
Beam Angle	20°

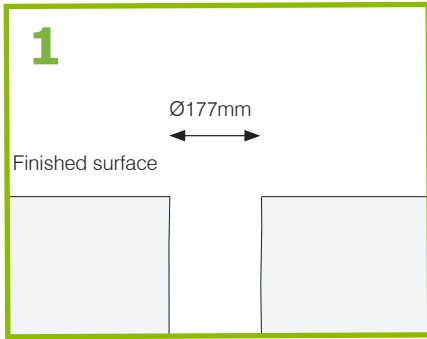
Technical Drawing



Order Form

GG	-	-	-	-	-	-	-
Series	2	3	4	5	6		
2. WATTAGE	3. MODEL	4. VOLTAGE	5. CCT	6. TRIM			
12 12 W	ABI ABI	A 24V DC B 120/240V AC	30 3000K 40 4000K	R Round S Square			

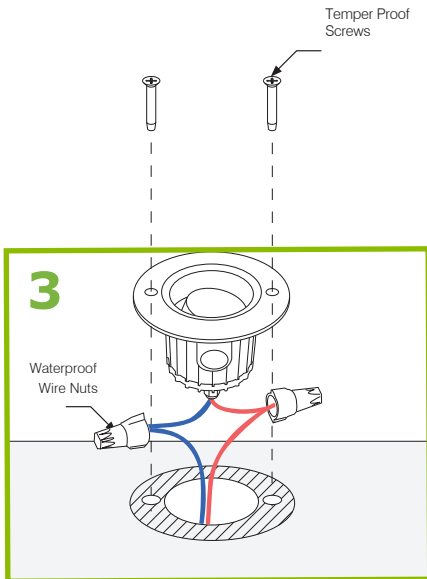
Installation Instruction



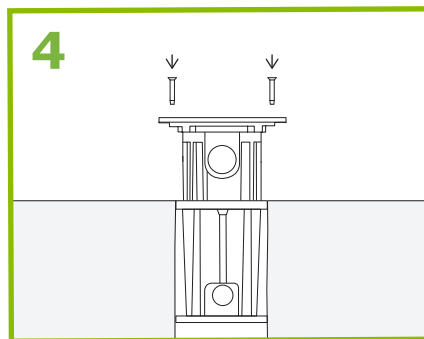
Drill Ø177 mm hole



Insert a sleeve into a hole



The power to the remote driver must be turned off while wiring LED fixtures to drivers. Connect fixture leads to box wiring using supplied waterproof wire nuts.



Carefully insert a fixture into the sleeve. Use two screws to secure the trim.



Installation is completed