

TYPE:

PROJECT:

CATALOG#:

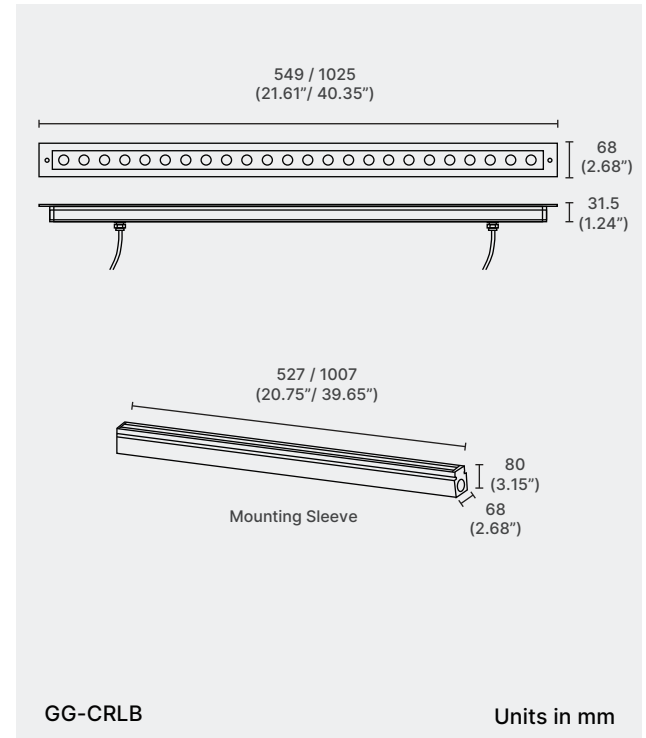
RECESSED INGROUND LIGHT



Product Features

GG-CRLB is a recessed linear in-ground light with outdoor rating of IP67. The option for dimming is 1-10V, TRIAC, DALI dimmable or none. The body of the light is made from extruded powder coated aluminum and step tempered frosted glass.

Technical Drawing



Product Specifications

Model	GG-CRLB12	GG-CRLB24
Lumen Output	2,640 lm	5,280 lm
Power Consumption (W)	22 W	44 W
Input Voltage	24V DC, 120-240V AC	
Colour Temperature (CCT)	2000K, 2700K, 3000K, 3500K, 4000K, 5000K	
Dimensions	549 x 68 x 31.5 mm	1025 x 68 x 31.5 mm
IP Rating	IP67	
Beam Angle	Symmetric: 20° or Asymmetric: 45°/ 35°	



IESNA
LM-79

IESNA
LM-80

IP67
IP67 & TESTED

5 YEARS
LIMITED WARRANTY
INCLUDED

Order Form

GG	CRLB	3	4	5	6	7
Series	Model					

3. WATTAGE

22 22 W
44 44 W

4. VOLTAGE

A 24V DC
B 120/240V AC

5. CCT

20 2000K 30 3000K 40 4000K
27 2700K 35 3500K 50 5000K

6. DIMMING

TR TRIAC DL DALI
DM 1-10V NN None

7. BEAM ANGLE

SM Symmetric (20°)
AS Asymmetric (45°/35°)