

TYPE:

PROJECT:

CATALOG#:

LED FLOOD LIGHT



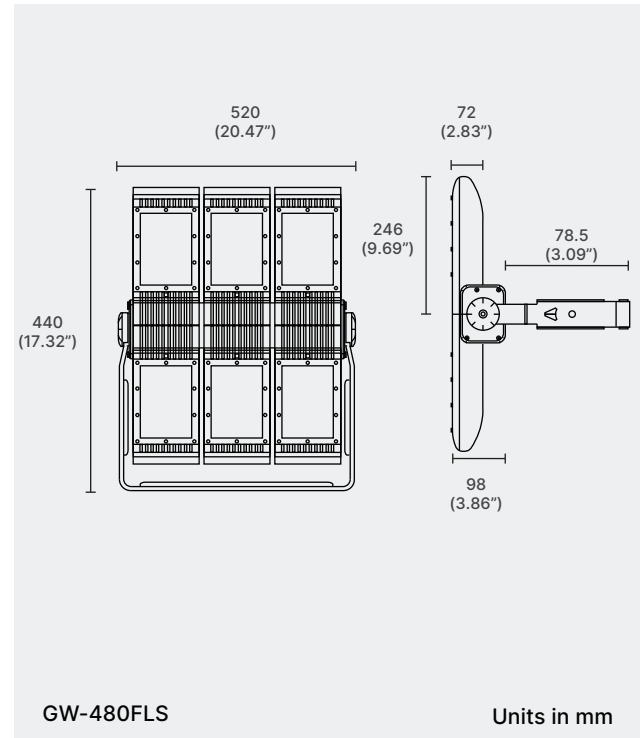
Product Features

GW-480FLS is an LED flood light can be an alternative replacement for the outdated mercury lamps, having over 60% of energy savings compared with HID sources. The head is tiltable. It has a life-span of over 50,000 hours with high power factor of > 0.95 and low LED junction temperature. It is rated IP65 for outdoor usage.

Product Specifications

Model	GW-480FLS
Lumen Output	57,600 lm
Power Consumption (W)	480 W
Input Voltage	90-305V AC
Colour Temperature (CCT)	2700K - 6500K
CRI	Ra 70
Operating Temperature	-40°C - 45°C
Beam Angle	30°, 60°, 120°, 85° x 135°
Driver	Meanwell
IP Rating	IP65

Technical Drawing



IESNA
LM-79

IESNA
LM-80

IP65
RATED & TESTED

5 YEARS
LIMITED WARRANTY
INCLUDED

Order Form

GW	FLS				
Series	Model	3	4	5	6

3. WATTAGE

480 480 W

4. VOLTAGE

A 90-305V AC

5. CCT

CCT 2700K-6500K

6. SENSOR

30 30° 120 120°
60 60° 135 85° x 135°