



96608B-96618B LED Door/ Movement Control Sensor Switch

Type: _____
 Project: _____
 Catalog#: _____

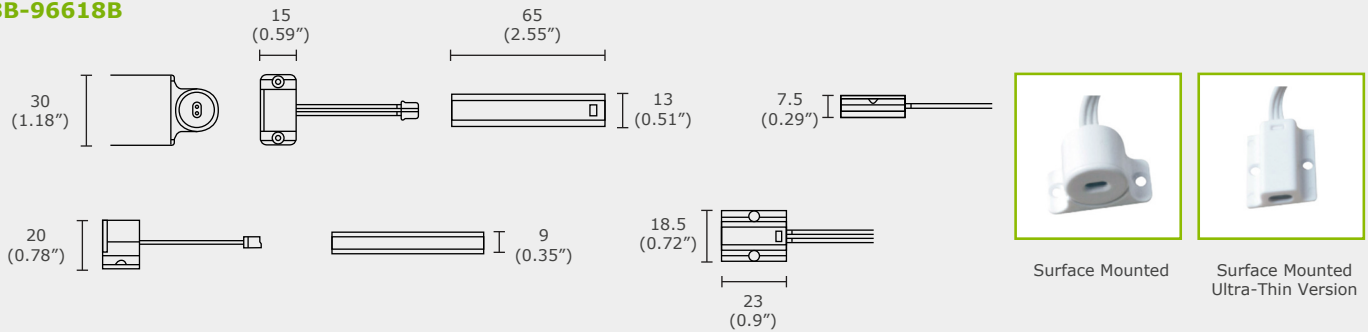


Main Features

- When the target object is in the detecting range, the lamp switches off, when there is no object in the detecting range, the lamp switches on

Technical Information

96608B-96618B



*All units in mm

Specification Features

Model	96608B (Door Control Sensor)				96618B (Movement Control Sensor)			
Input Voltage	DC 12V/ 24V				DC 12V/ 24V			
Output Voltage	DC 12V/ 24V				DC 12V/ 24V			
Loading Power	24W/ 48W				24W/ 48W			
Detection Range	Max 10 cm				Max 10 cm			
Finish	White/ Black				White/ Black			
Material	PC				PC			

Order form

Model	Input Voltage	Wattage	Finish
96608B	DC 12V/24V	24 24 W	WH White
96618B		48 48 W	BK Black