



GG-06IGRD LED Inground Light

Type: _____
 Project: _____
 Catalog#: _____

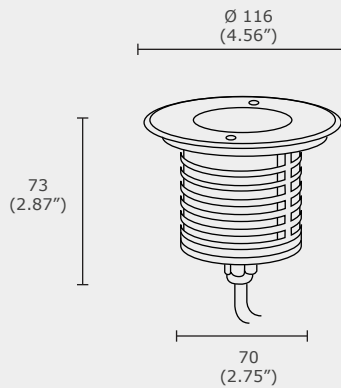
Main Features

- Die-cast aluminum housing
- EPDM packing
- Step tempered clear glass
- Loading capacity of 1840 kg



Technical Information

GG-06IGRD



Specification Features

Model	GG-06IGRD
Lumen Output	300 lm
Power Consumption (W)	7 W
Input Voltage	24V DC, 120/240V AC
Colour Temperature	3000K, 4000K, RGB
Dimensions	Ø 116 x 73 mm
IP Rated	20
Weight	4 kg
CRI	80
PFC	0.95
Beam Angle	50°, 35°
Certification	cETLus, CE, RoHS
Warranty	5 Years

Order form

Series		Model		Wattage		Voltage		Beam Angle		Colour Temperature				Housing	
GG	GG	06IGRD	06IGRD	6	6 W	A	24V DC	50	Asymmetrical (50°)	30	3000K	RGB	RGB	A	Aluminum
						B	120V AC	35	Symmetrical (35°)	40	4000K				

*RGB only available in 24V