

TYPE:

PROJECT:

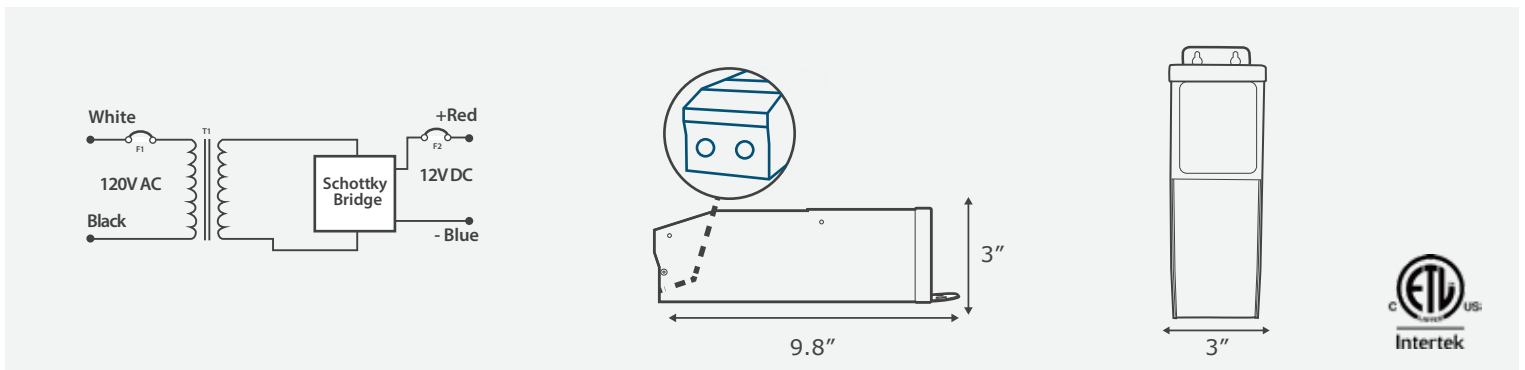
CATALOG#:

Product Features

- Dimmable with standard MLV TRIAC dimmer.
- Dual protection - primary and secondary auto-reset circuit breakers.
- Nema 3R Enclosure - Outdoor Use.
- Two bottom knock-outs.



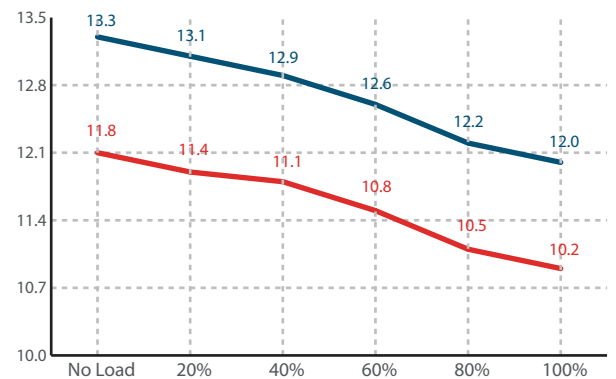
Technical Drawing



Product Specifications

Model	M-150L
Max Load	150W
Input Voltage	120V AC
Input Current Full Load	1.95 A
Output Voltage Full Load	11V DC
Max Output Current Full Load	13.3 A
Open Circuit Output Voltage	12.15V DC
Efficiency on I	80%
Power Factor on I	0.93
Coil Former	Double Section Bobbin
Thermal Class	B130°C
Leads Primary	PVC 600V #18
Leads Secondary	PVC 300V #12
Circuit Breaker	Primary & Secondary Auto Reset
Dimensions (in)	9.8 in x 3 in. x 3 in.
Weight	87 Oz

— Output Voltage vs. Load
 — Output Voltage With a Typical Dimmer



Order Form

M - - -
 Series Model 3

2. MODEL	3. OUTPUT VOLTAGE
150L 150L	A 12V DC
	B 24V DC