

TYPE:

PROJECT:

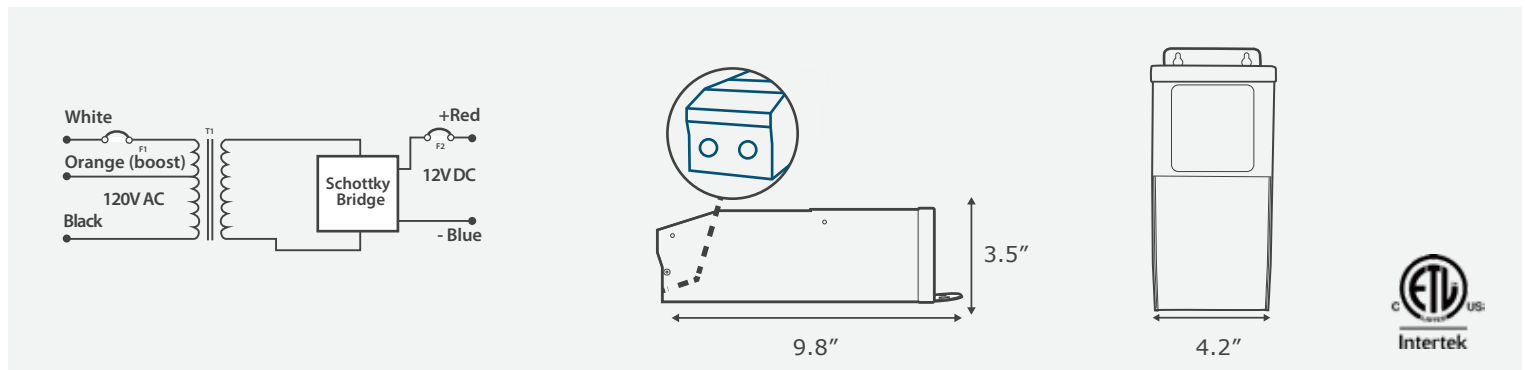
CATALOG#:

## Product Features

- Dimmable with standard MLV TRIAC dimmer.
- Dual protection - two manual push-to-reset circuit breakers on the primary & secondary sides.
- Optional 10% voltage boost to compensate for voltage drop
- Two bottom knock-outs.



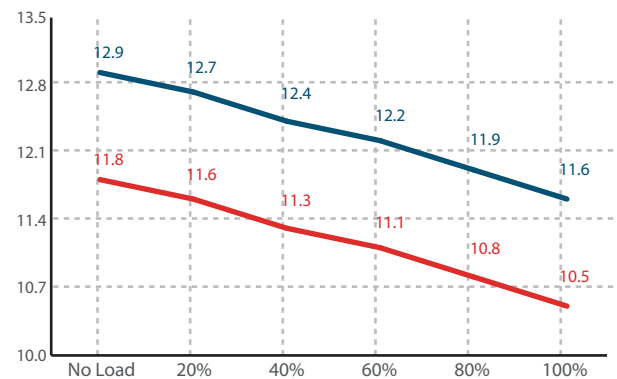
## Technical Drawing



## Product Specifications

Model	M-200L
Max Load	200W
Input Voltage	120V AC
Input Current Full Load	2.13 A
Output Voltage Full Load	11V DC
Max Output Current Full Load	15.6 A
Open Circuit Output Voltage	12.3V DC
Efficiency on I	88%
Power Factor on I	0.92
Coil Former	Double Section Bobbin
Thermal Class	B130°C
Leads Primary	PVC 600V #18
Leads Secondary	PVC 300V #12
Circuit Breaker	Secondary Manual Push-to-Reset
Dimensions (in)	9.8 in. x 3.5 in. x 4.2 in.
Weight	140 Oz

— Output Voltage vs. Load  
 — Output Voltage With a Typical Dimmer



## Order Form

M - - -  
 Series Model 3

2. MODEL  
 200L 200L

3. OUTPUT VOLTAGE  
 A 12V DC  
 B 24V DC